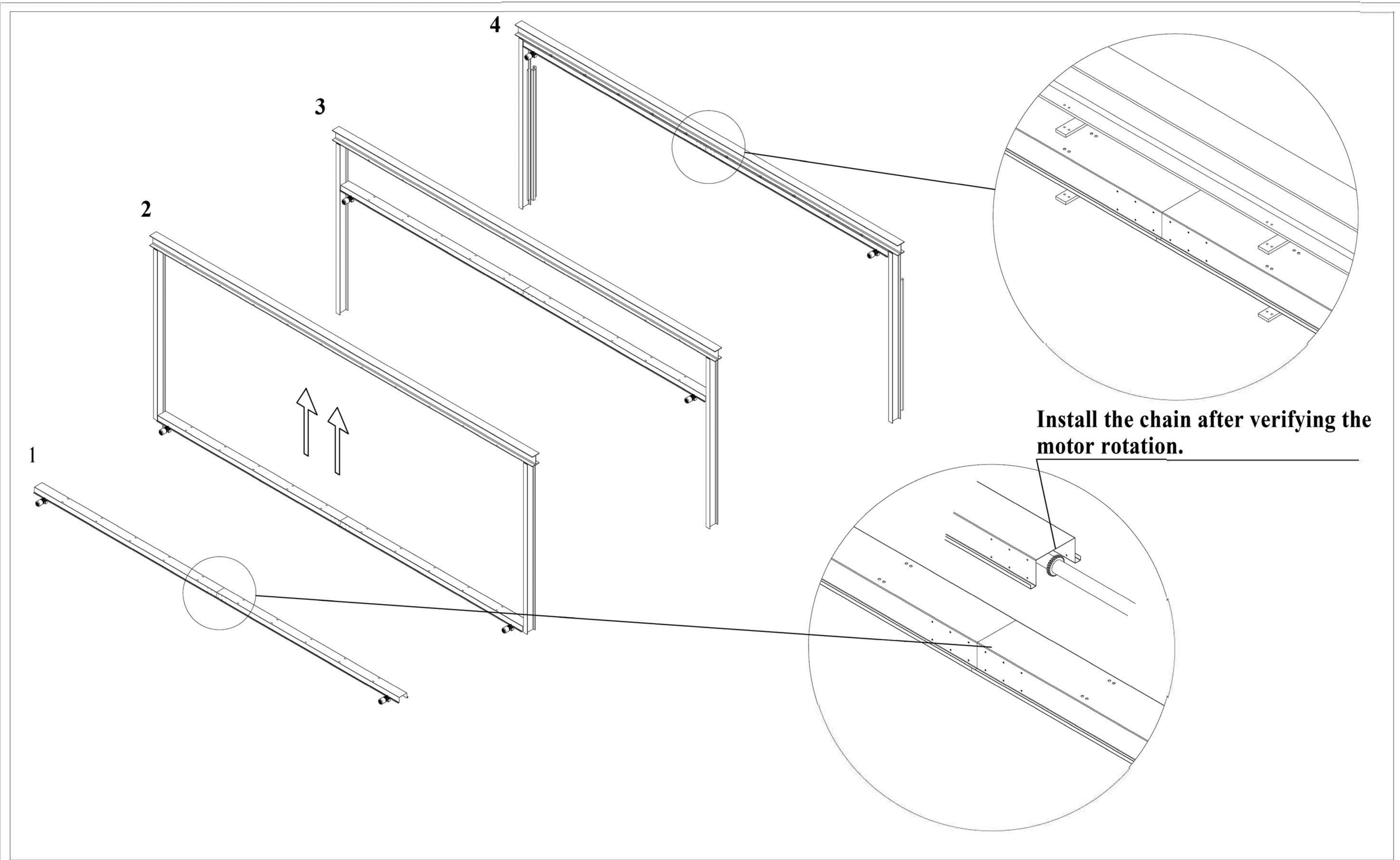


MAXFOLD™

INSTALLATION MANUAL

PerforMax Industrial Doors
5 Crozerville Road, Aston, PA 19014
+1 (484) 840-8500

WWW.PERFORMAXGLOBAL.COM
INFO@PERFORMAXGLOBAL.COM



PERFORMAX GLOBAL
5 CROZERVILLE ROAD
ASTON, PA 19014

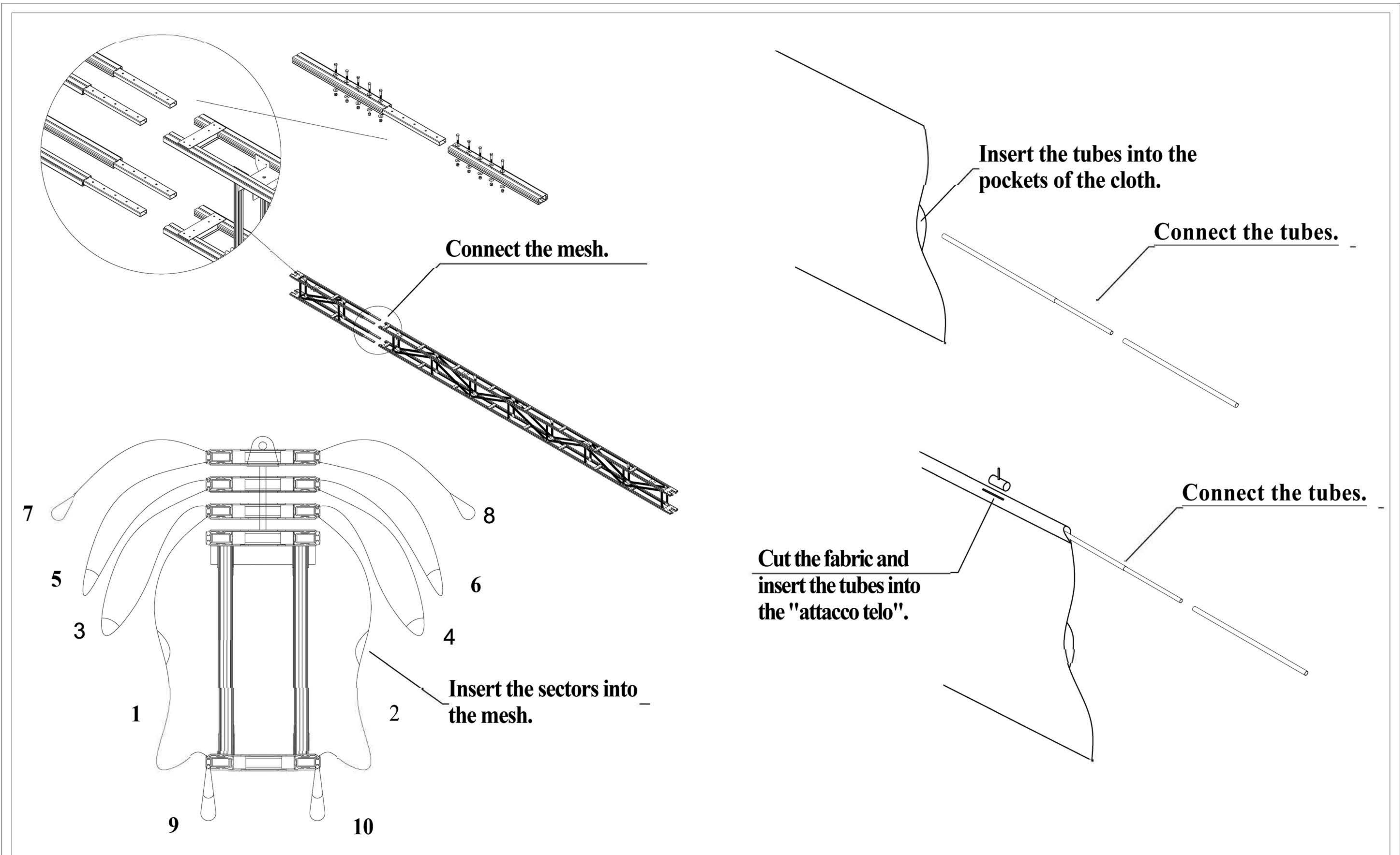
CAD FILE SCALE

TITLE MECHANICAL
INSTALLATION -
MAXFOLD

A3 - 1 -
ORIG.SIZE! DESIGNER SHEET REVISION

REV.	DATE	DESCRIPTION	DRAWN	CHECKED	APPROVED

GENERAL NOTES



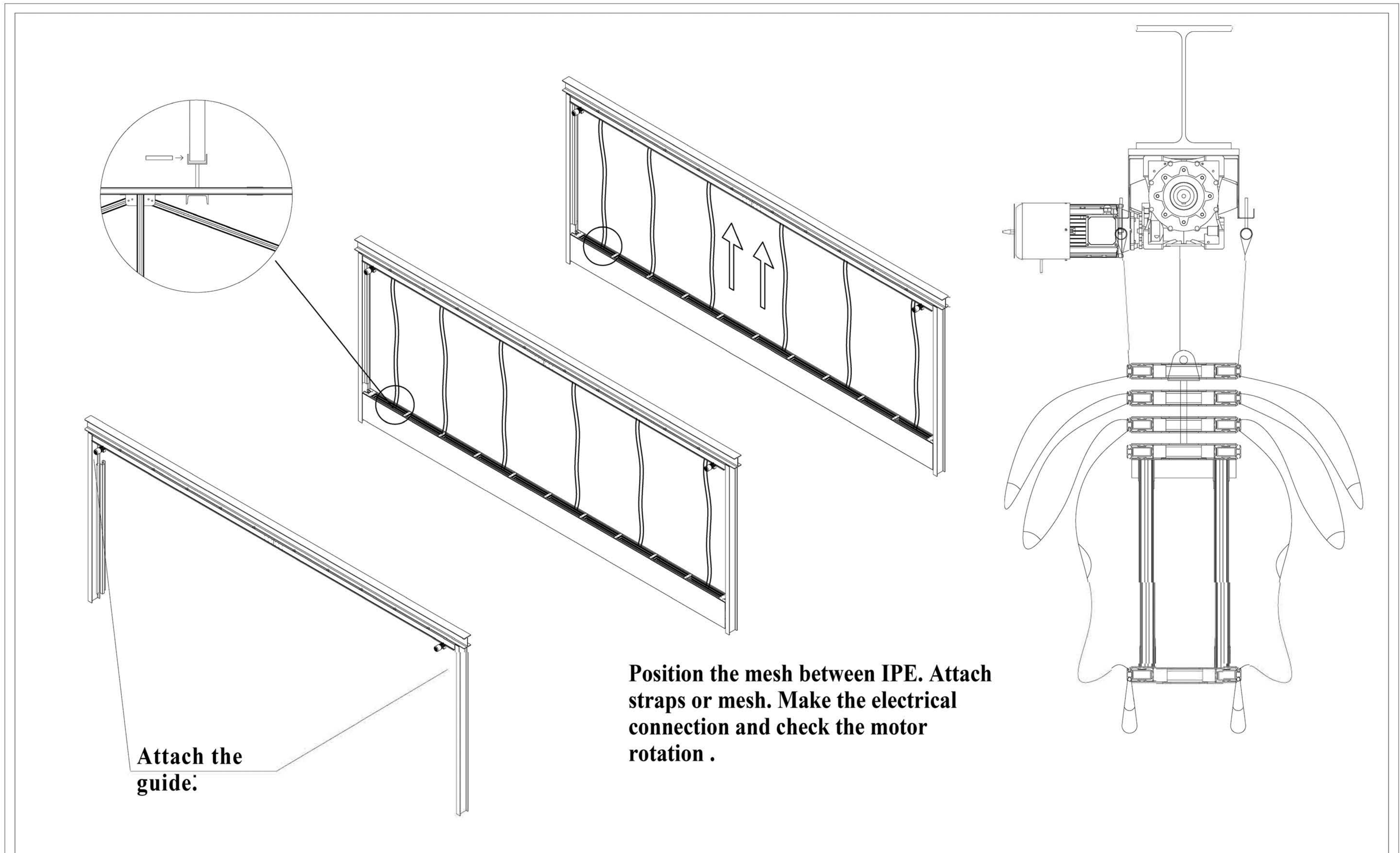
PERFORMAX GLOBAL
 5 CROZERVILLE ROAD
 ASTON, PA 19014

PERFORMAX
 TITLE MECHANICAL
 INSTALLATION -
 MAXFOLD

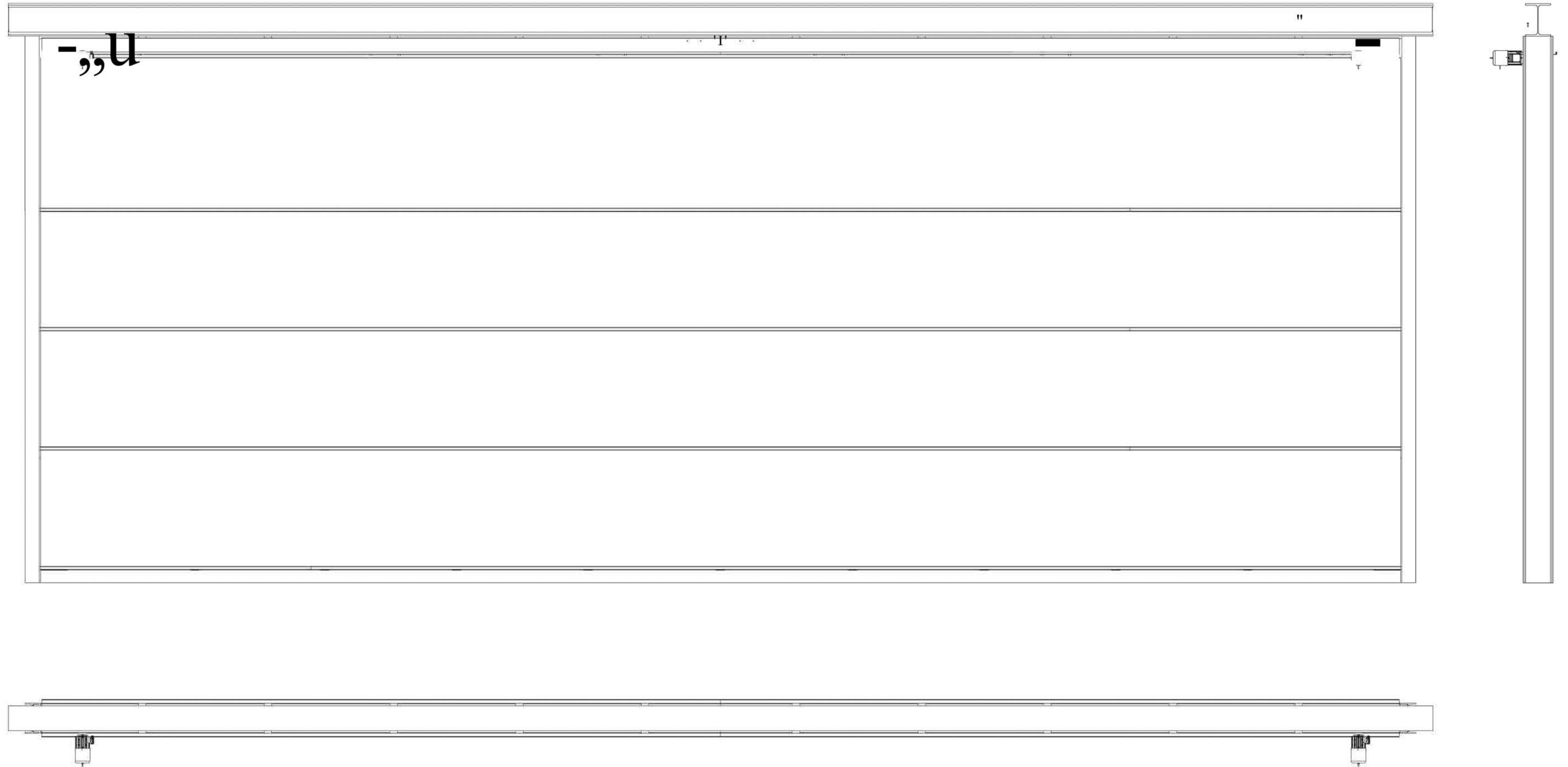
A3 - 2
 ORIG.SIZE! DESIGNER SHEET REVISION

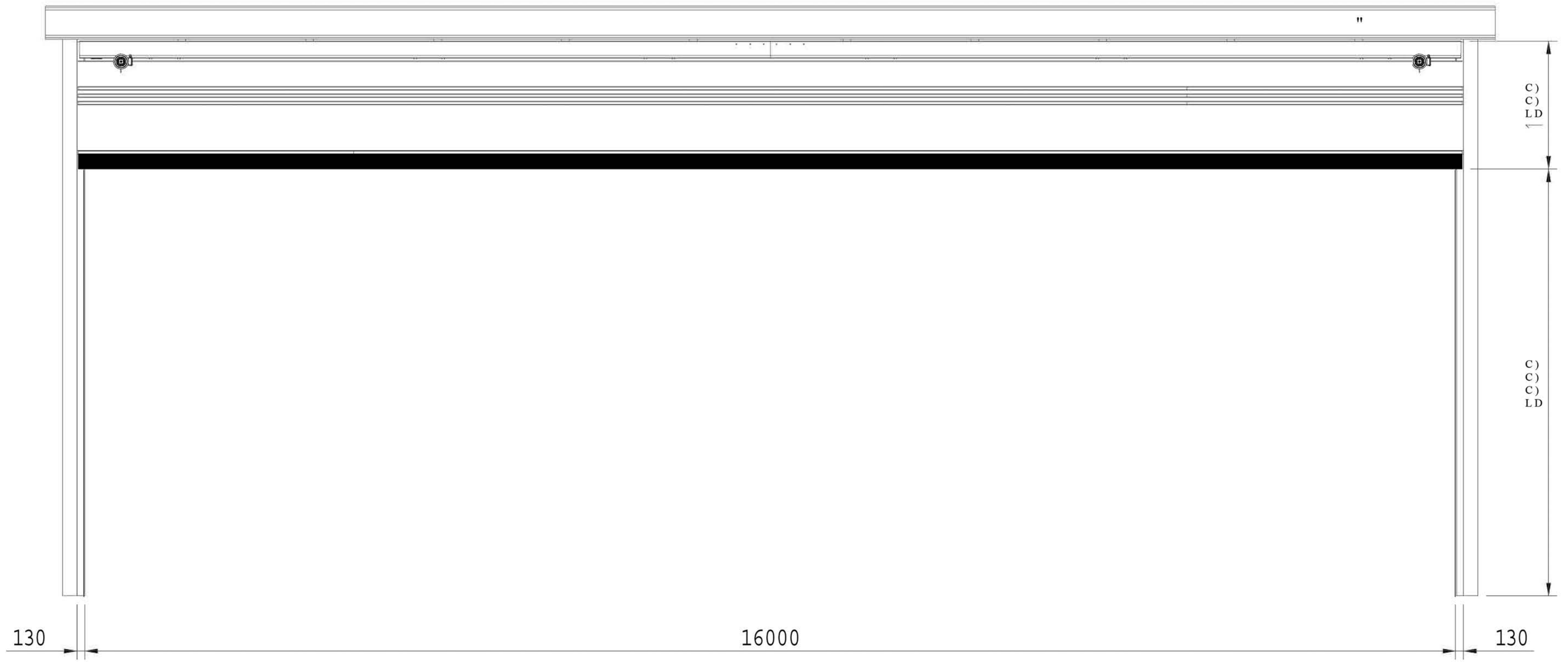
REV.	DATE	DESCRIPTION	DRAWN	CHECKED	APPROVED

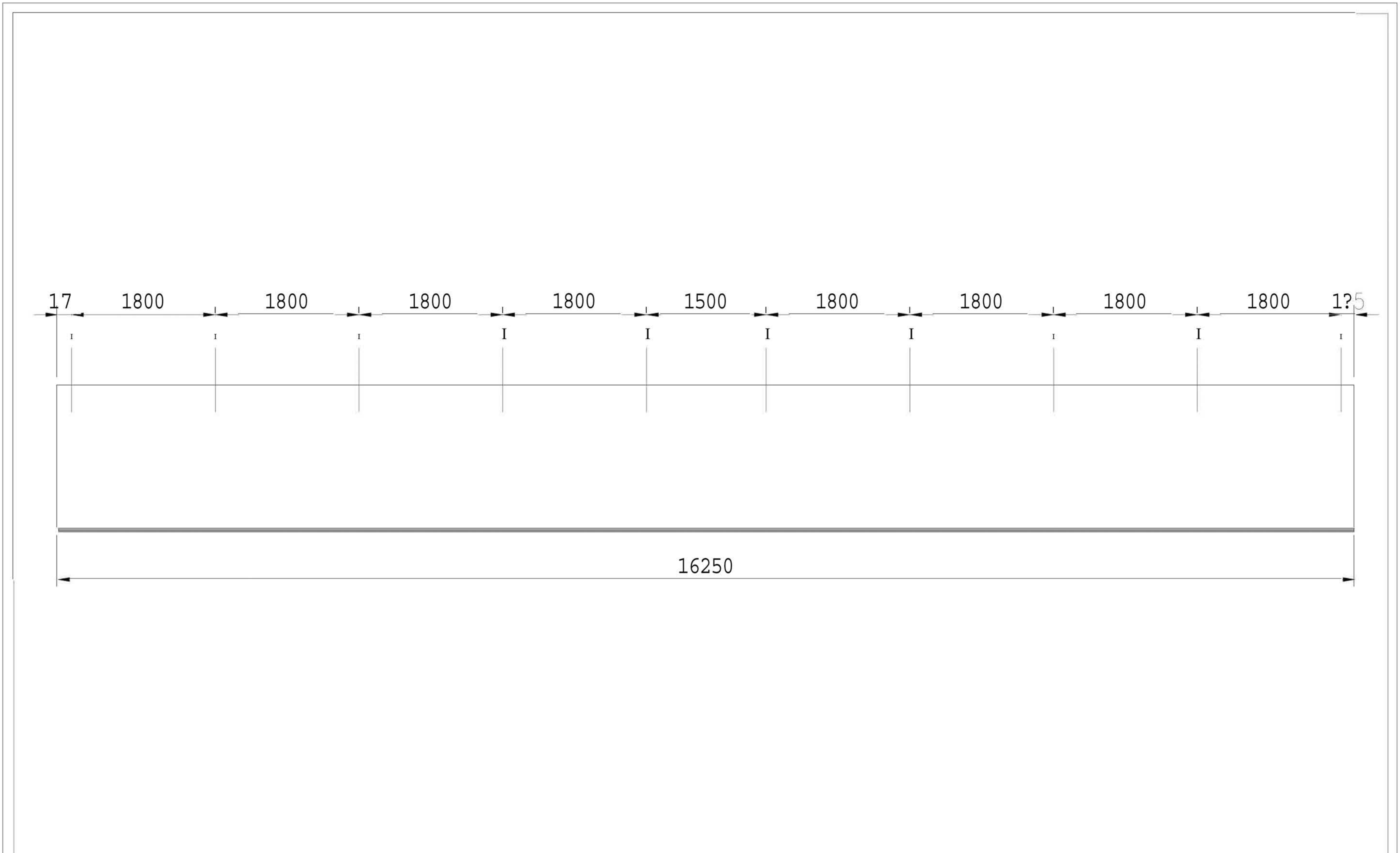
GENERAL NOTES



PERFORMAX GLOBAL 5 CROZERVILLE ROAD ASTON, PA 19014		PERFORMAX TITLE: MECHANICAL INSTALLATION - MAXFOLD										
CAD FILE	SCALE	ORIG. SIZE	DESIGNER	SHEET	REVISION	REV.	DATE	DESCRIPTION	DRAWN	CHECKED	APPROVED	GENERAL NOTES
		A3		3								







PERFORMAX GLOBAL
5 CROZERVILLE ROAD
ASTON, PA 19014

CAD FILE SCALE

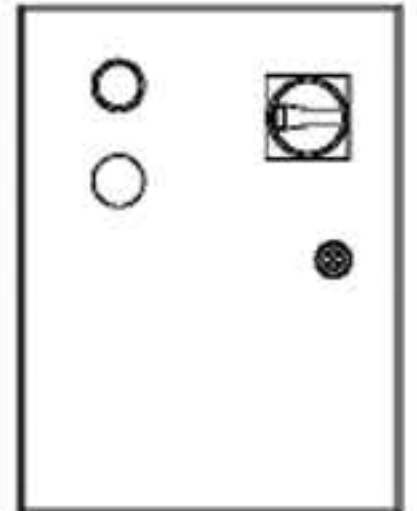
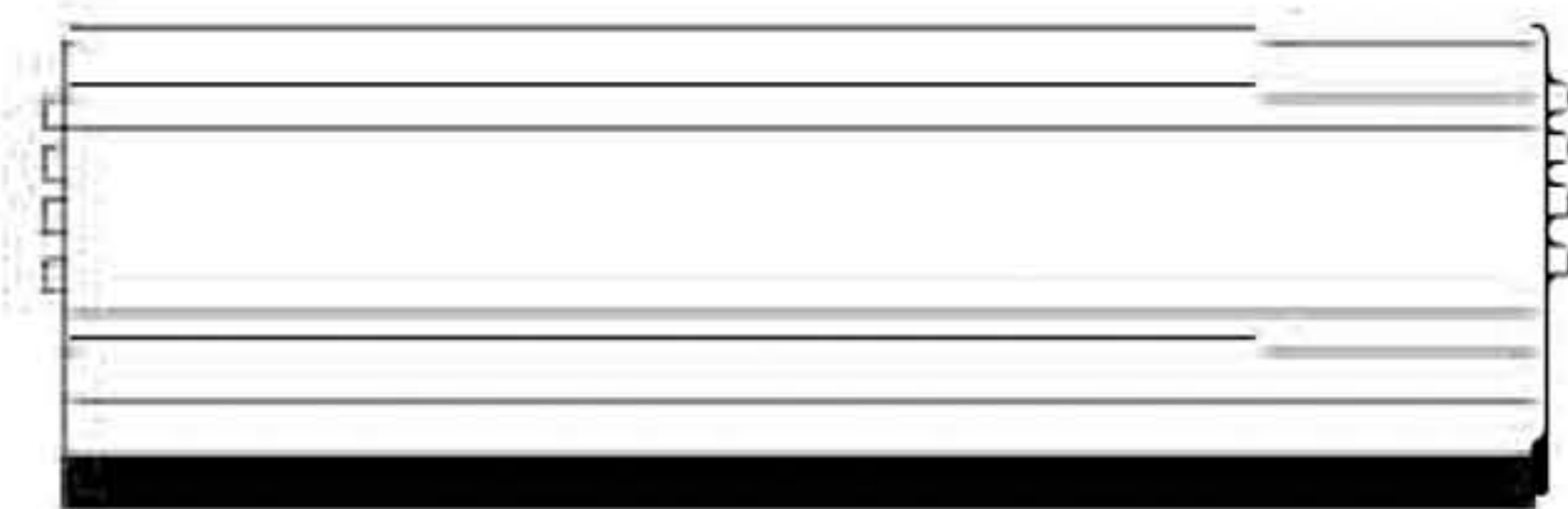

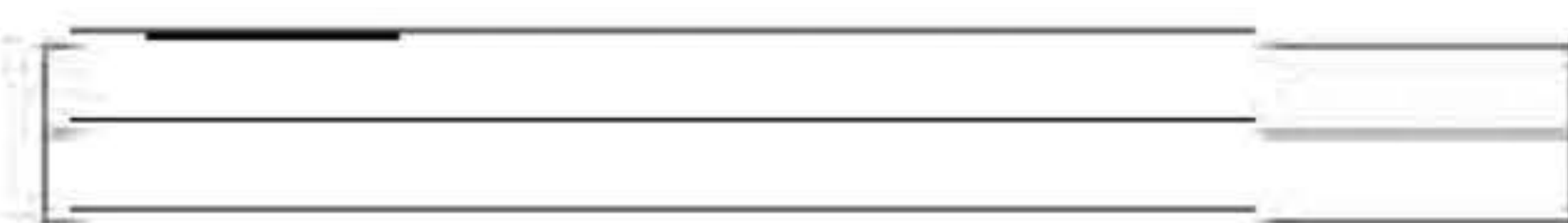

PERFORMAX			
TITLE		ATTACCO TELO	
A3	-	1/1	-
ORIG.SIZE	DESIGNER	SHEET	REVISION

REV.	DATE	DESCRIPTION	OF DRAWN	DF CHECKED	PERFORMAX APPROVED
-	-				

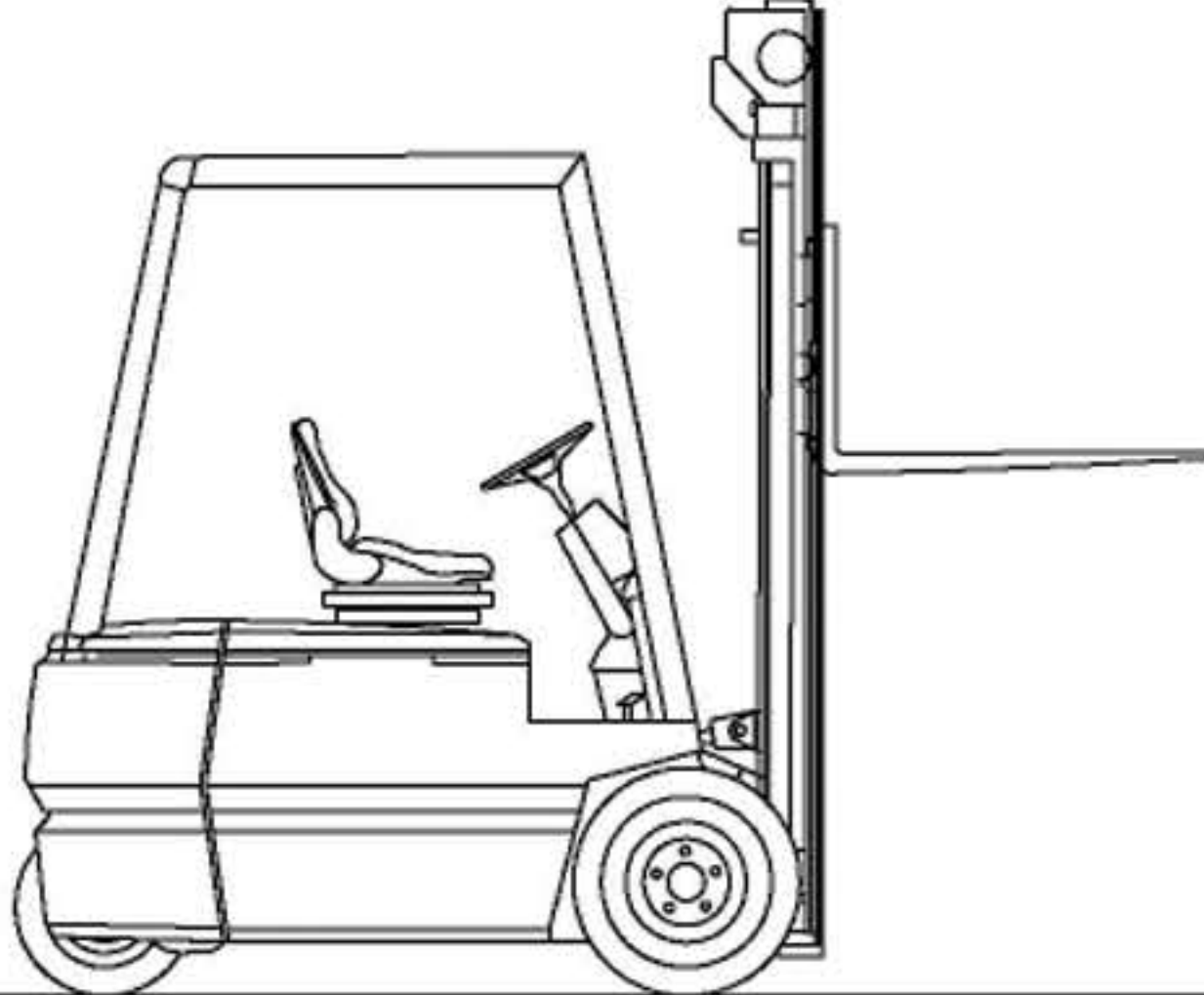
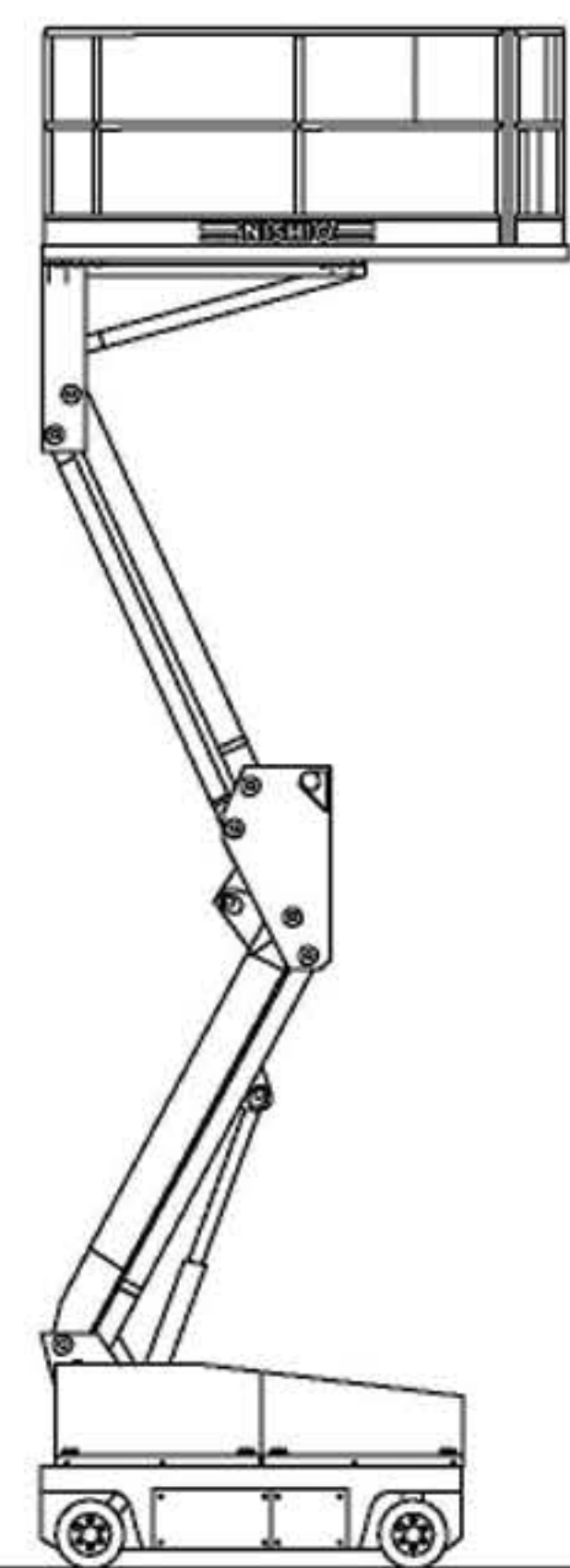
GENERAL NOTES

1

Door components

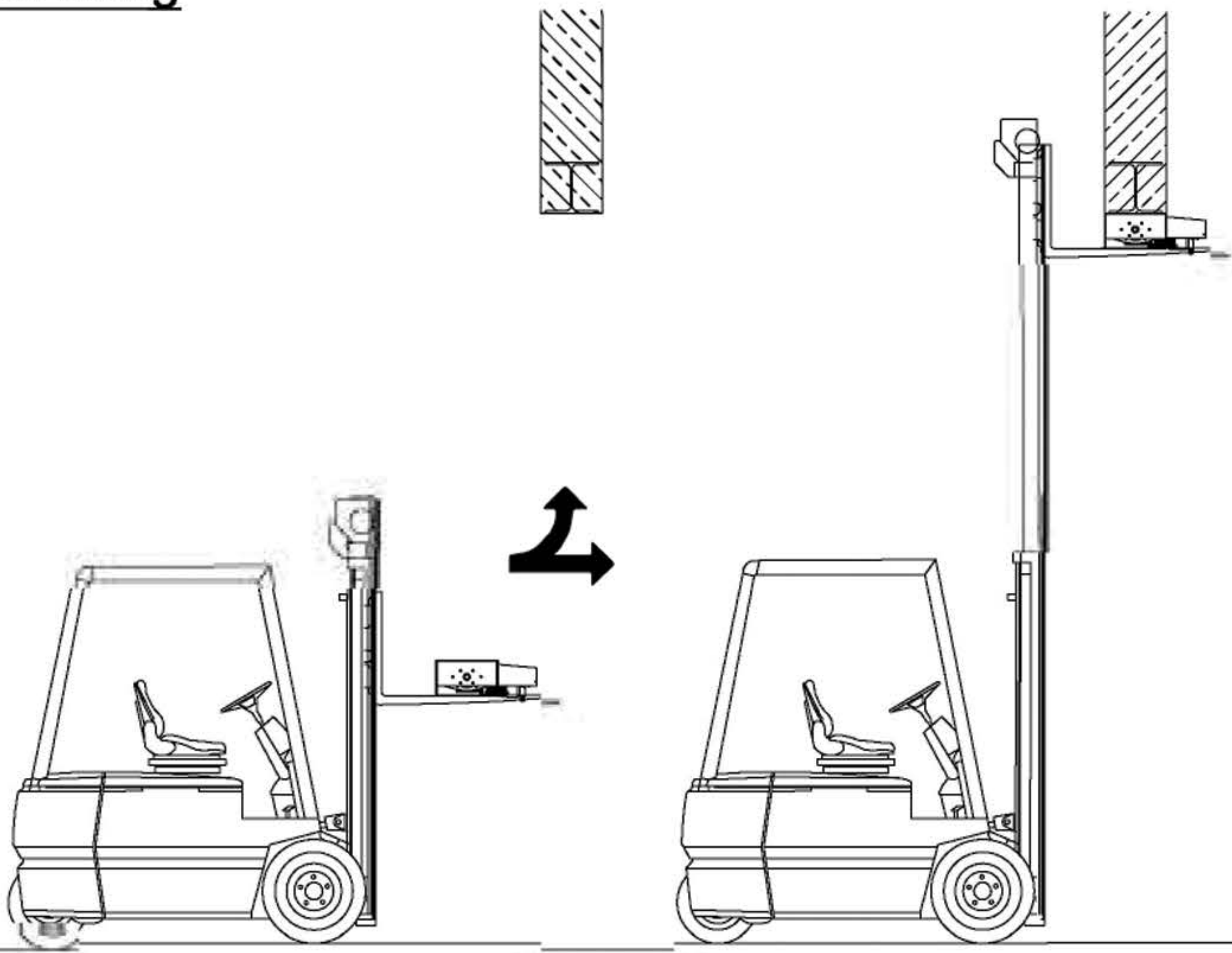
-  1 X Control panel
-  1 X Curtain frame
-  1 X Upper beam
-  2 X Left and right column
-  1 X Accessories box

Tools required

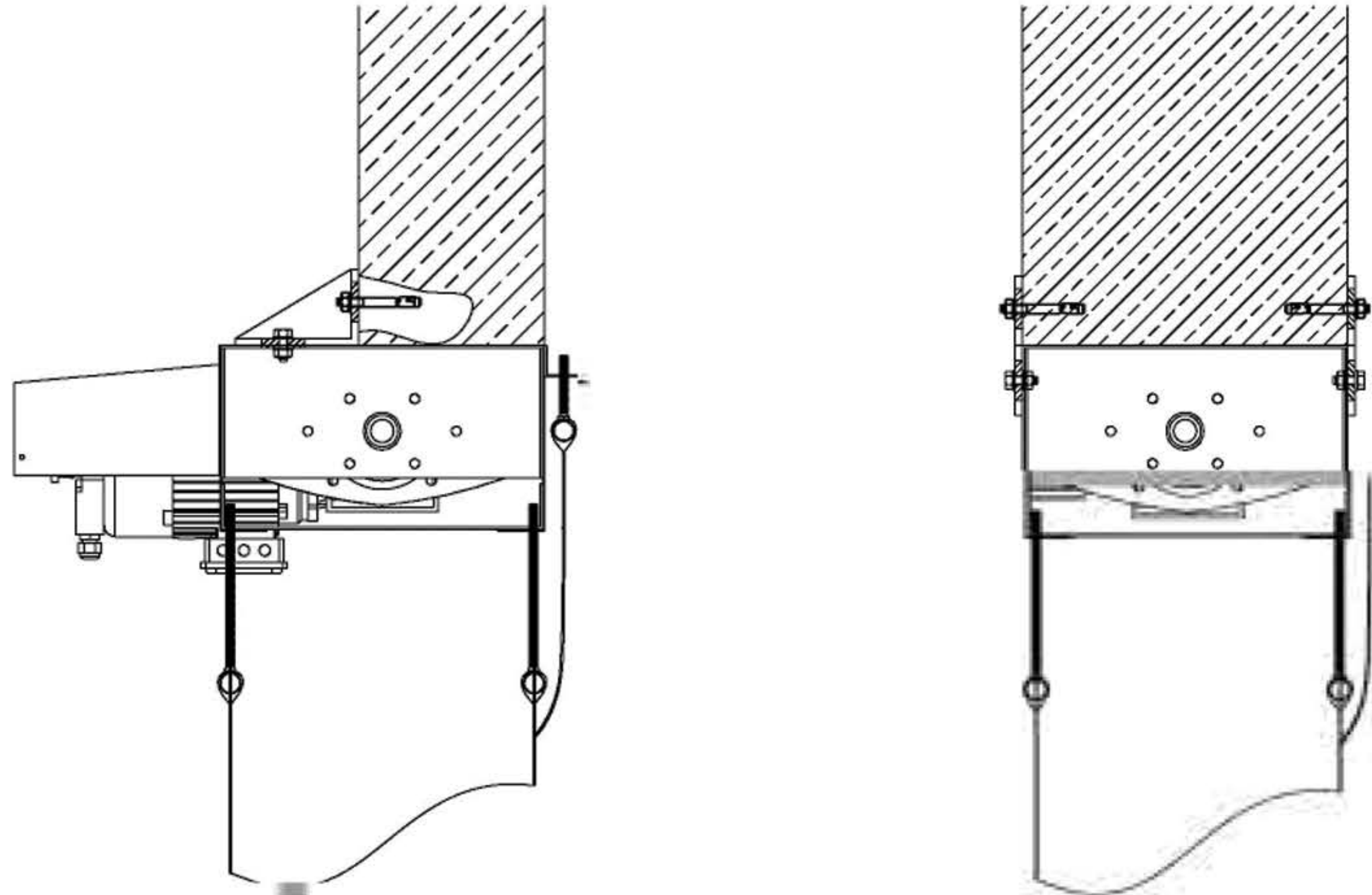
-  Forklift truck
-  Aerial work platform

2

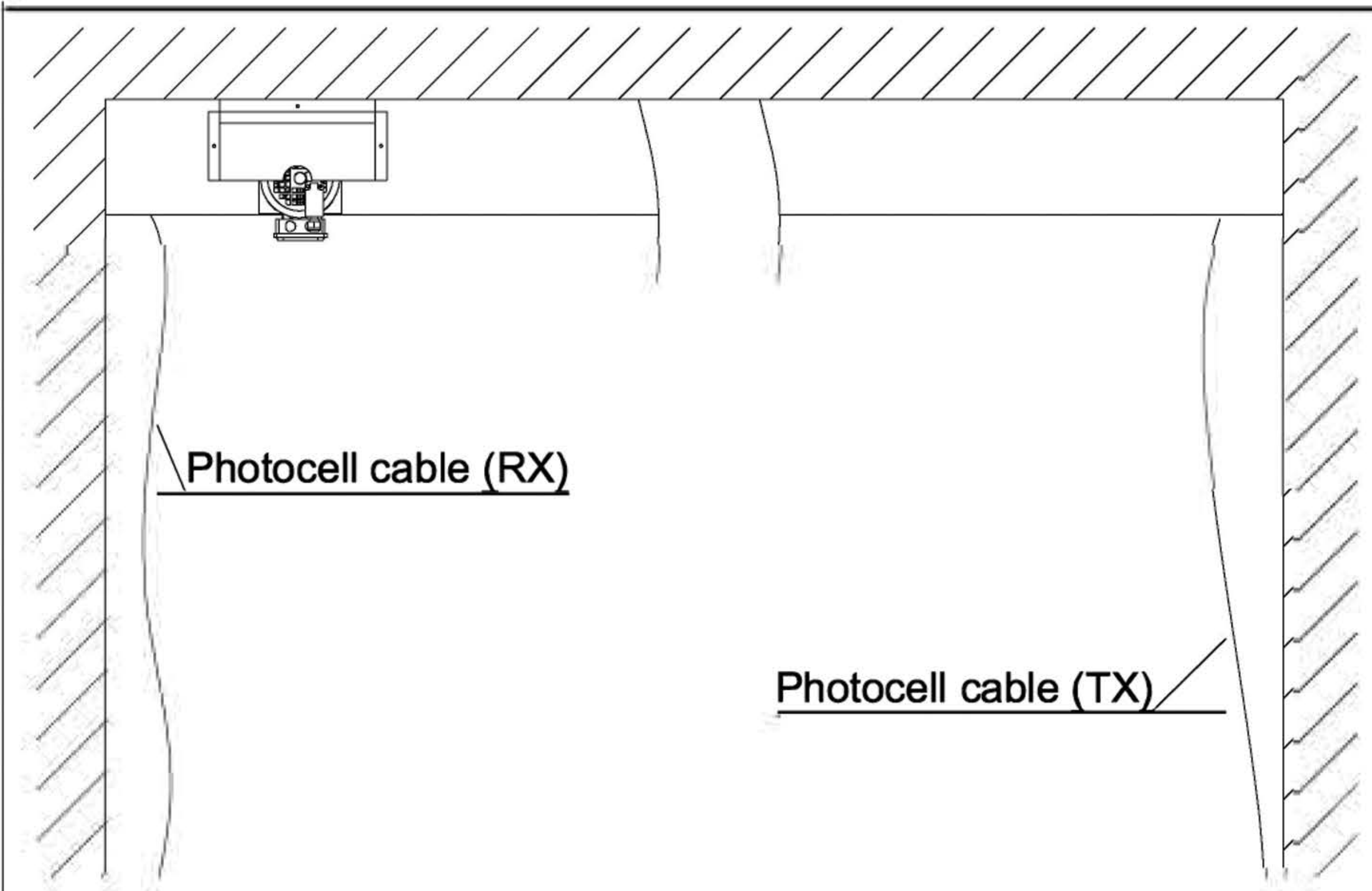
Upper beam fixing



Fixing examples

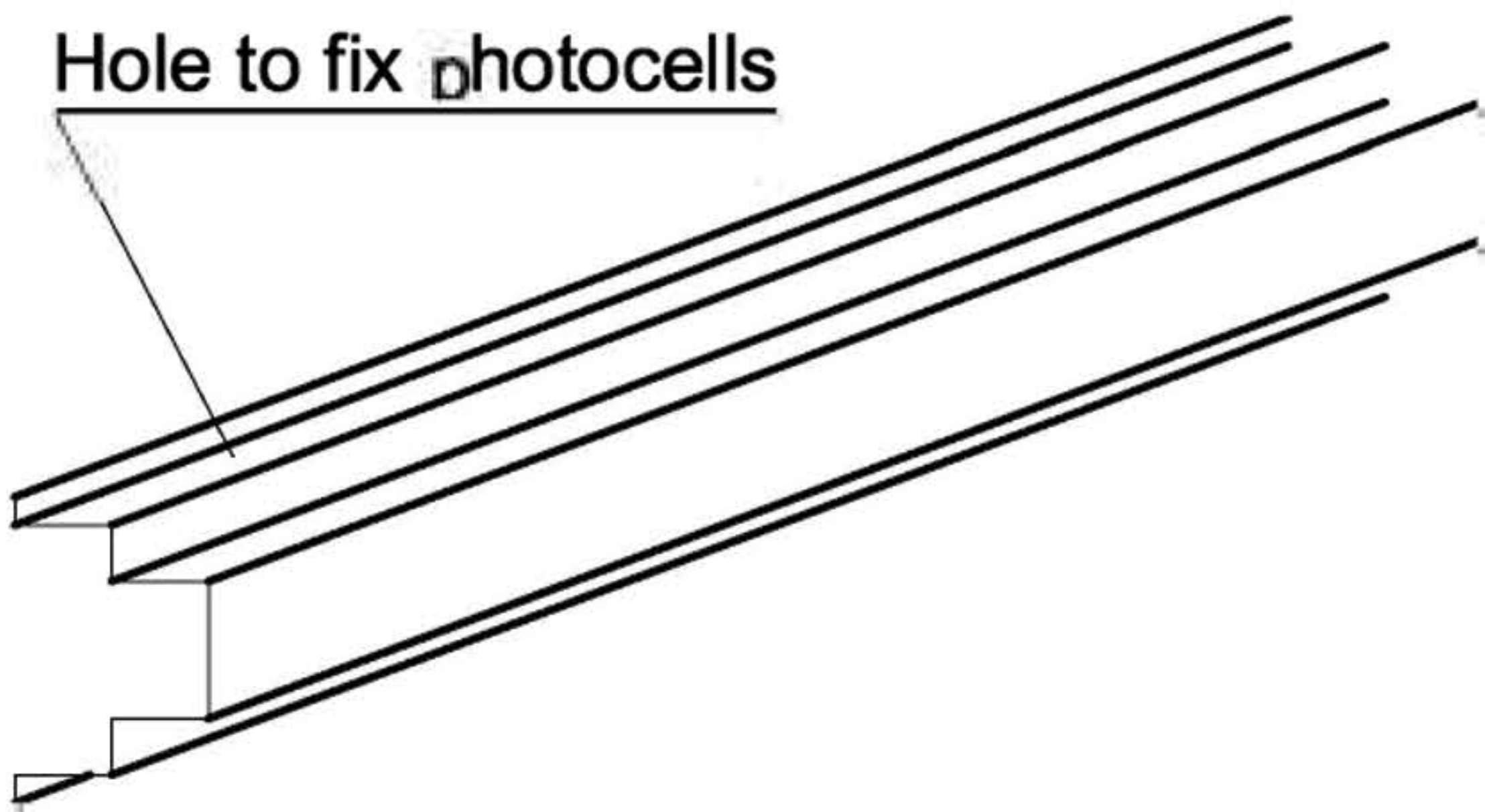


3



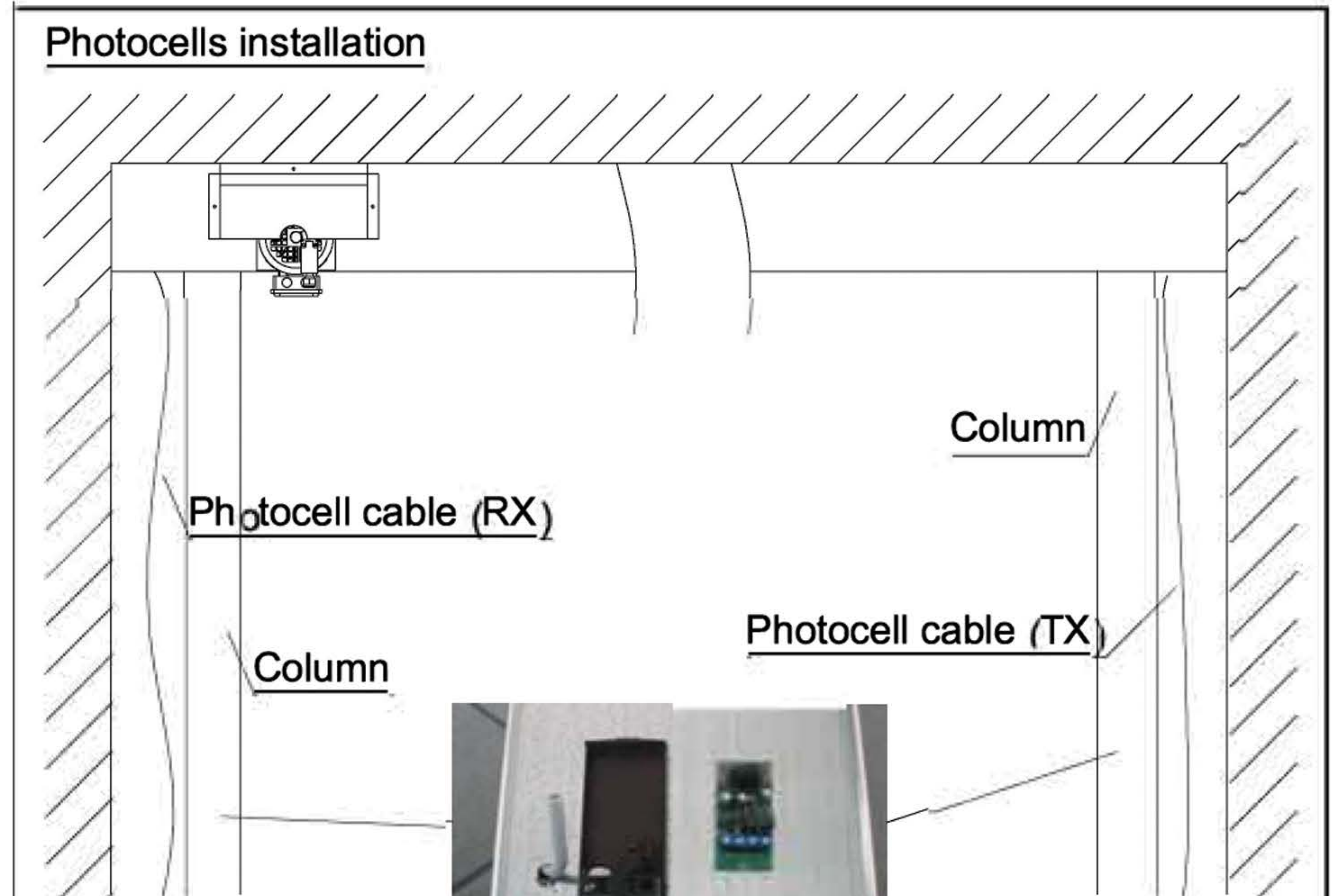
After upper beam was fixed leave the photocells' cables hanging free.

Hole to fix photocells



Hold the columns at about 30 cm from ground

4



Before you fix the columns be sure the photocells' cables are out.



RX



TX

5

RX

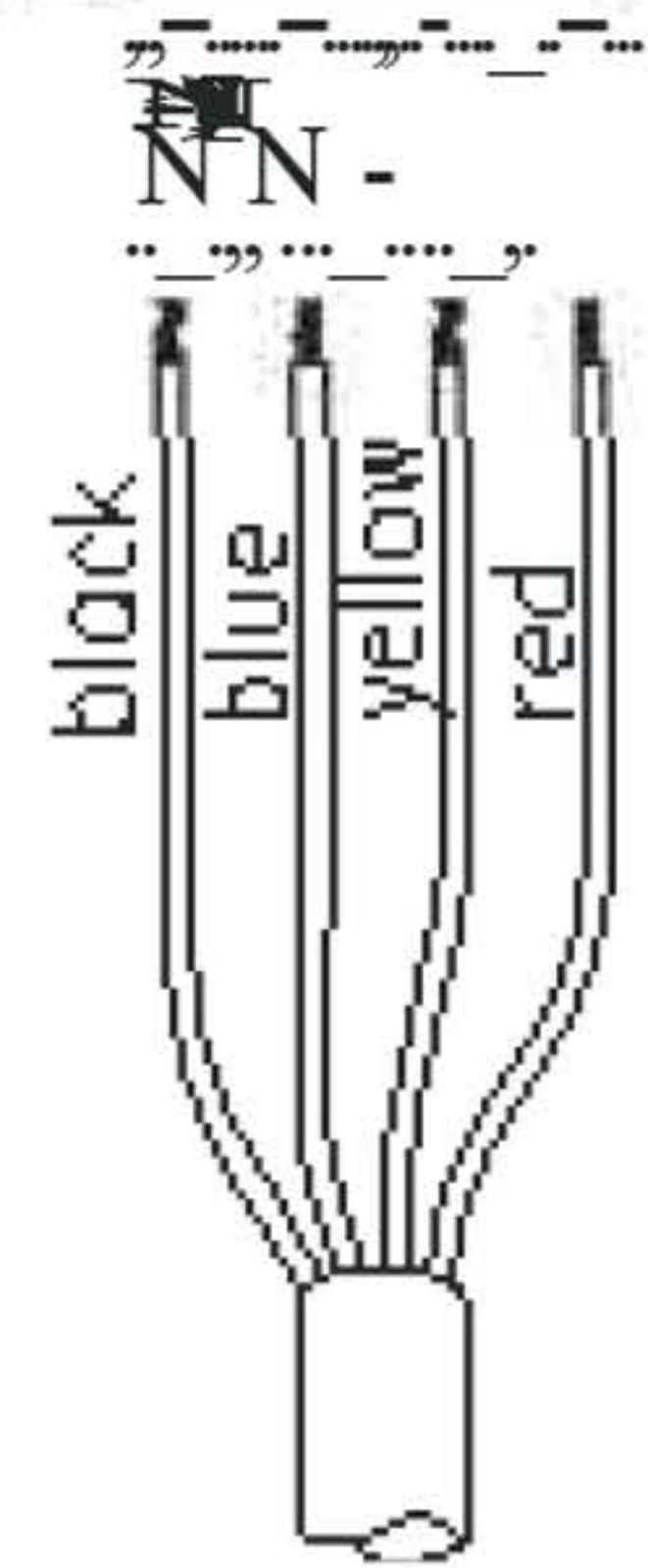
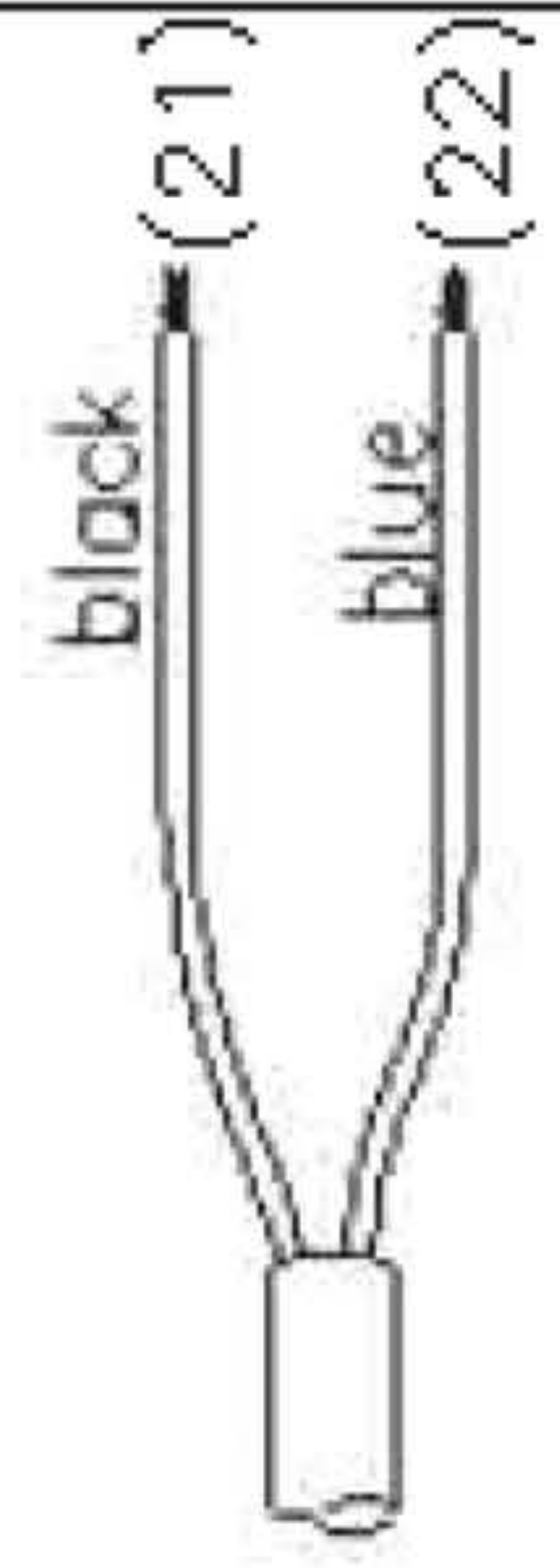
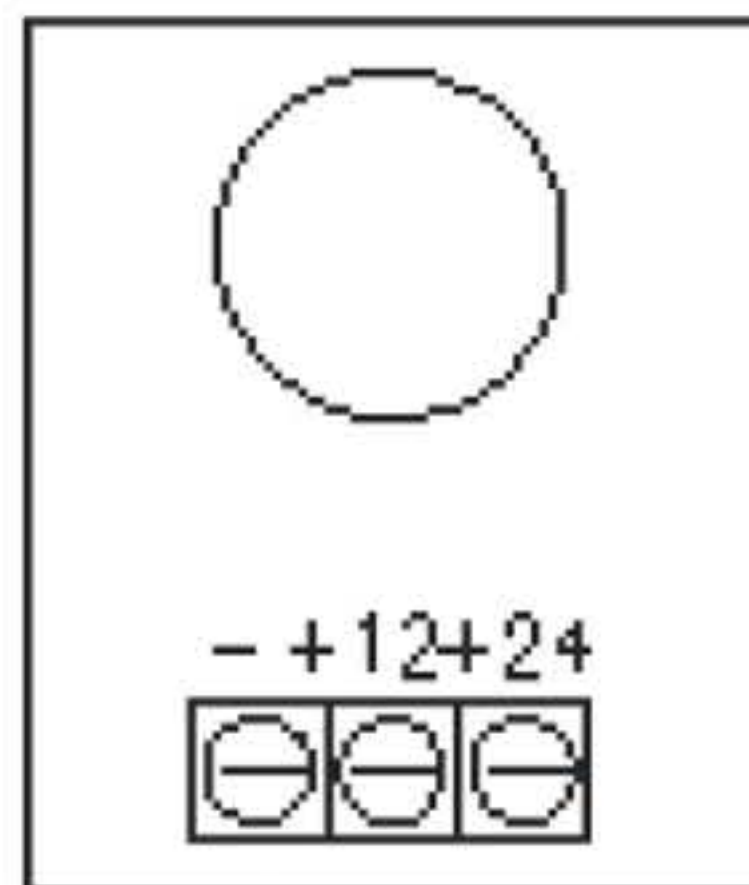
TX



turn the photocell so that
the transmitter and
receiver can communicate

TX

RX

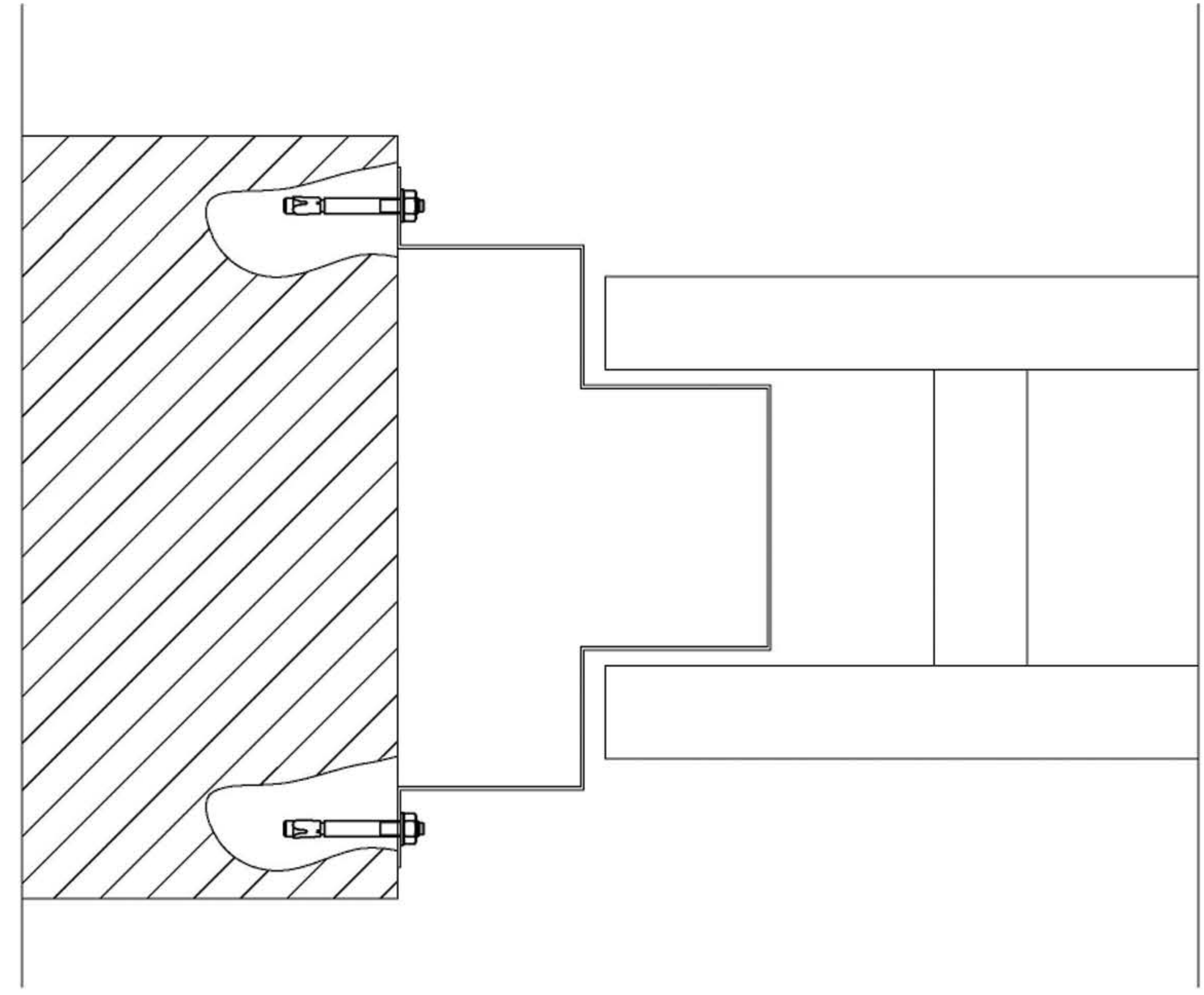


6

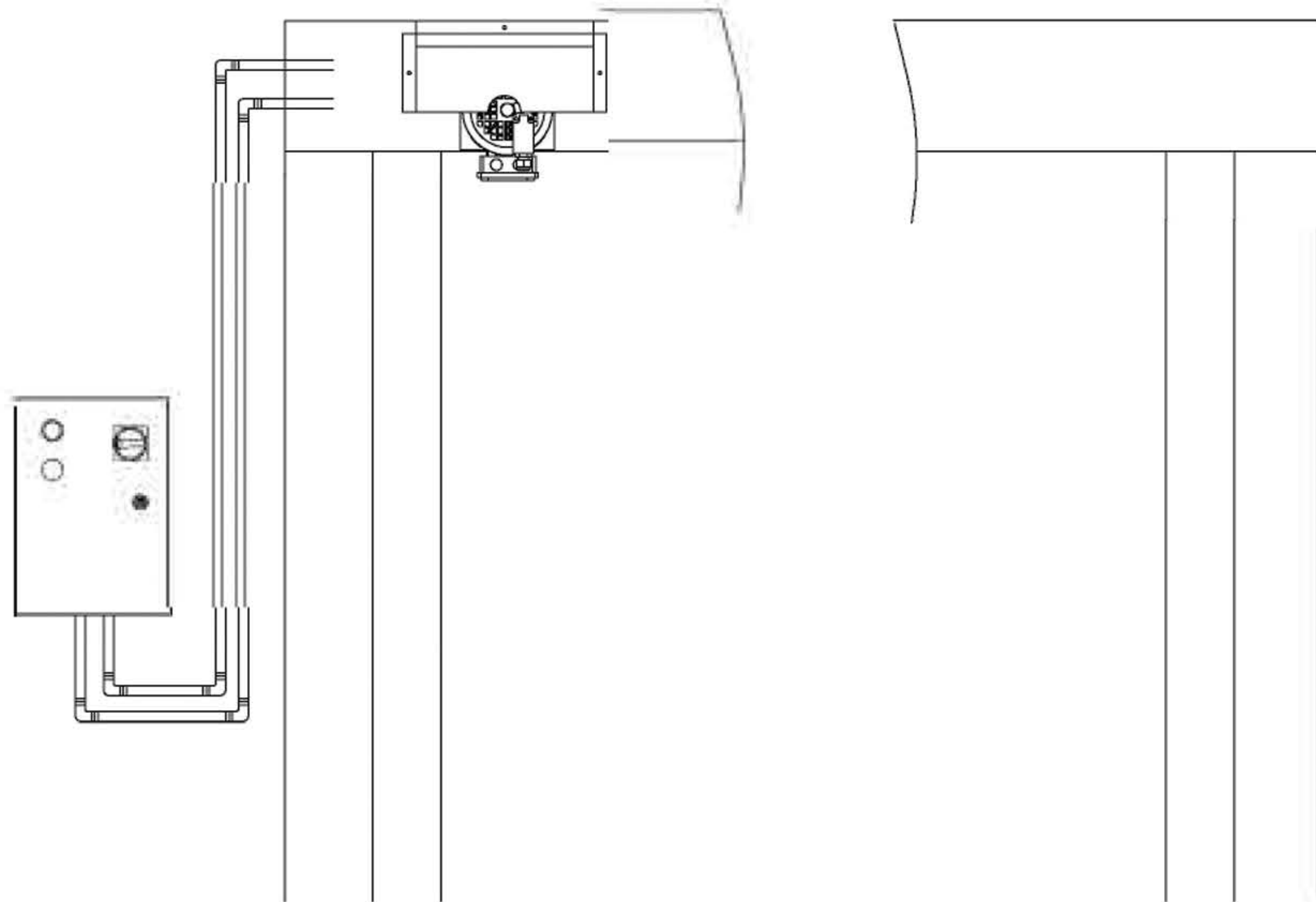
Photocells connections

- Black cable - 24 Vac
- Blue cable - 24 Vac
- Yellow cable - Common
- Red cable - Normally closed contac (N.C.)

Fix the columns to the frame



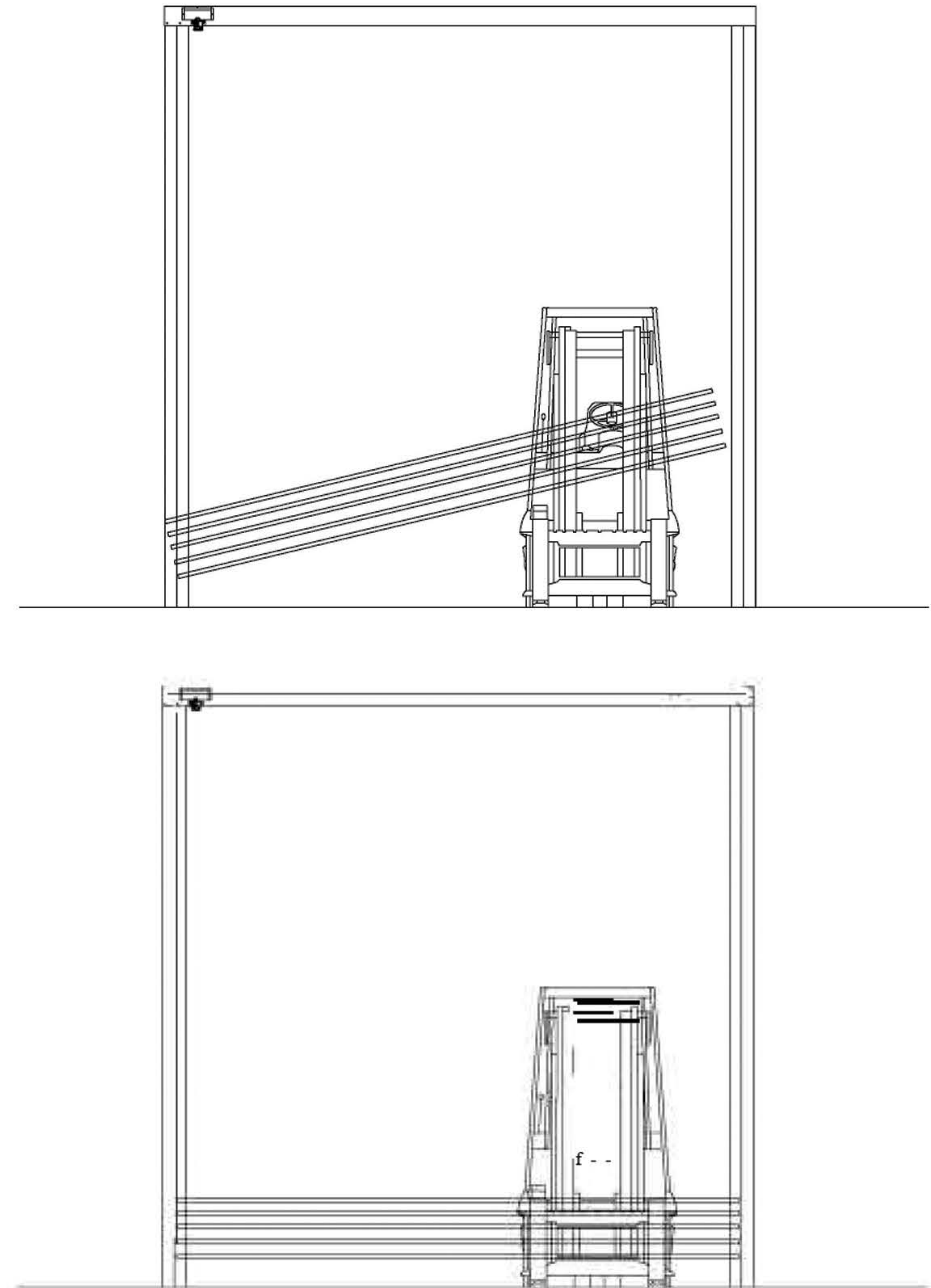
7



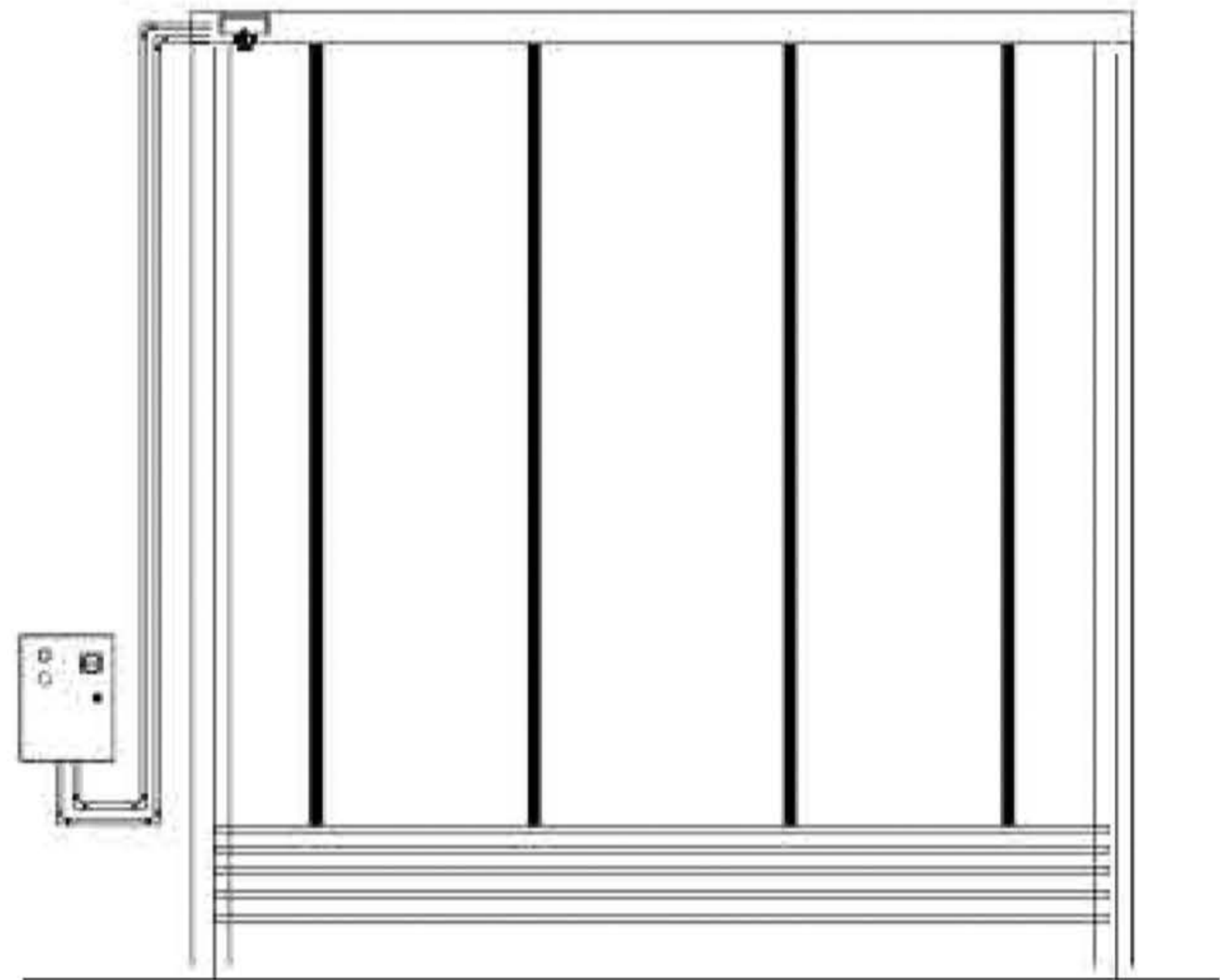
Motor+ brake cable - 4 x 1,5 + 2 x 0,5
Accessories cable - 12 x 0,5

For electrical connection and schemes see inside control panel

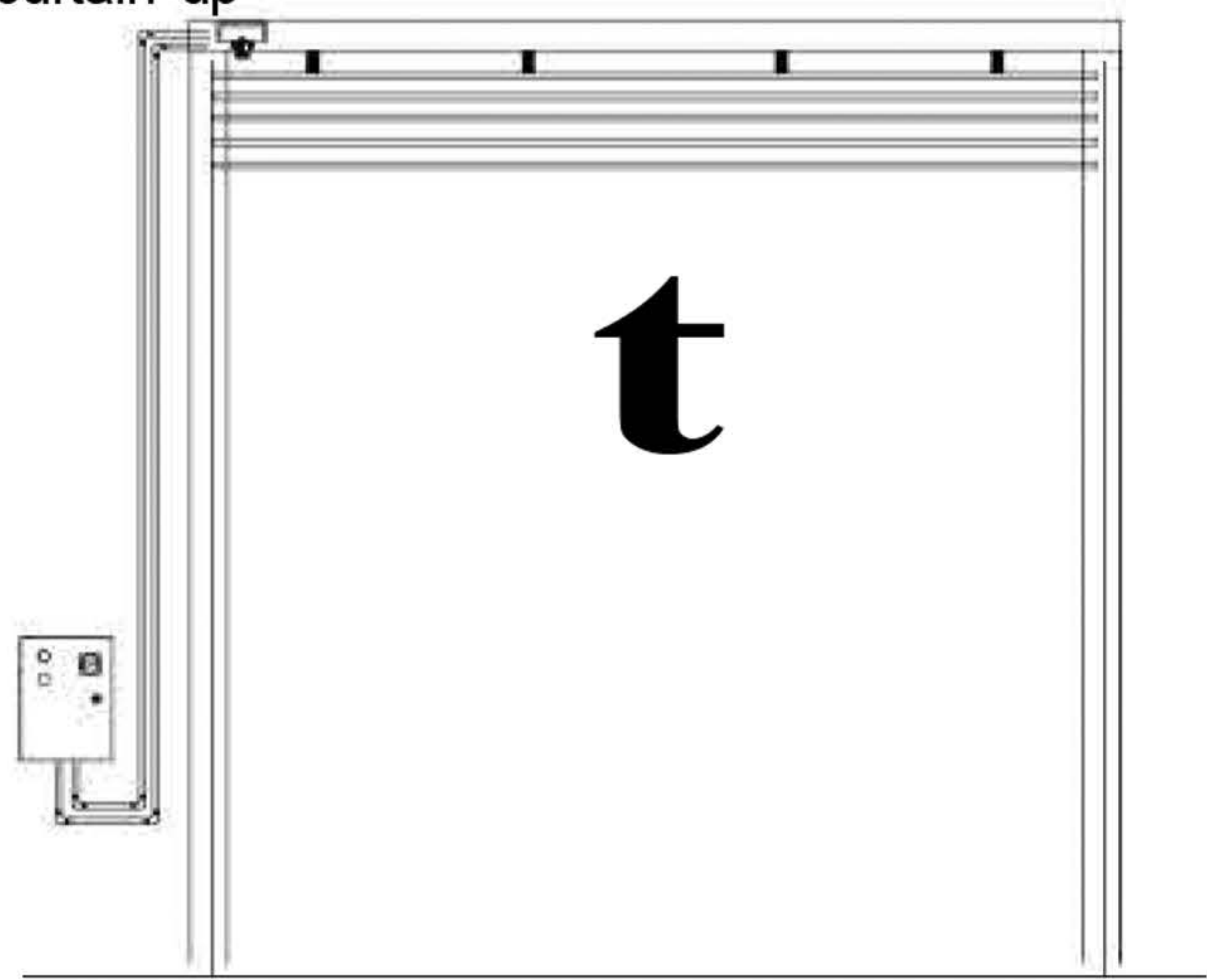
8



9

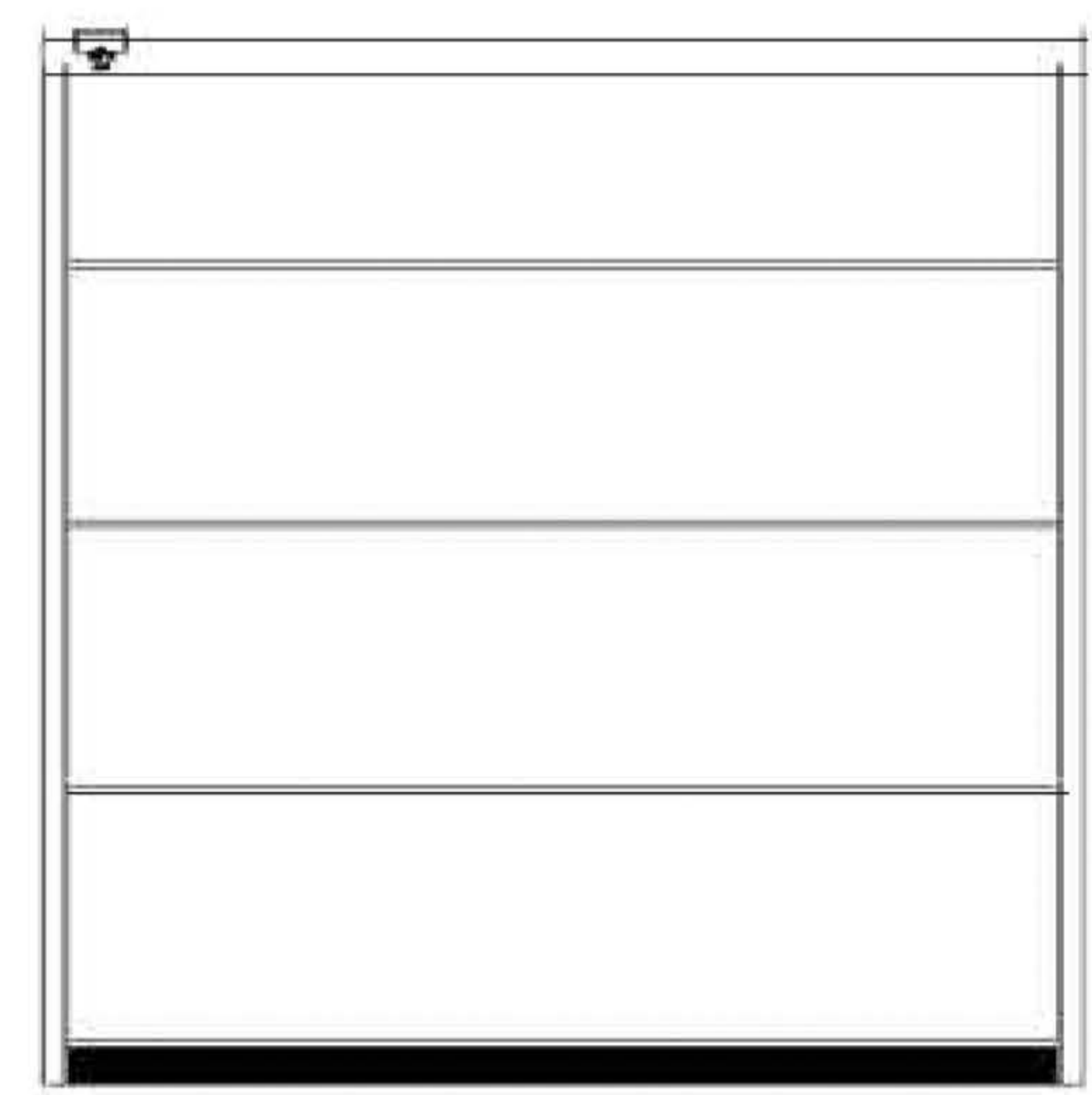
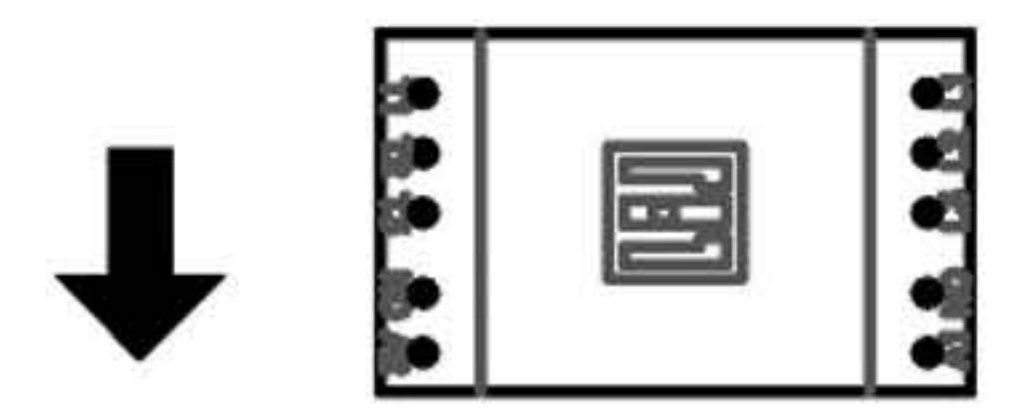
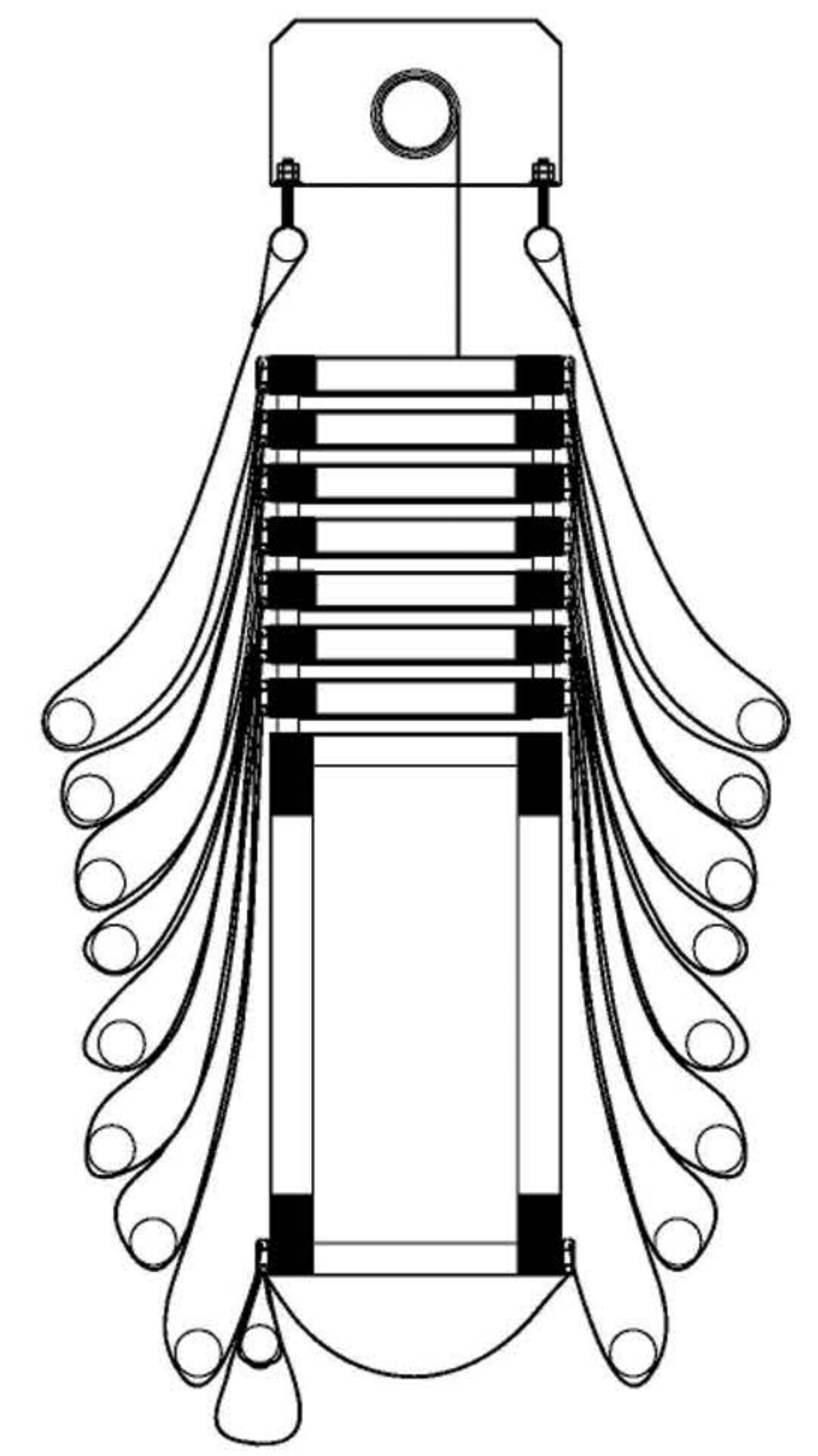


Fix the belts to the upper beam shaft and use the up button on the control card to lift the curtain up



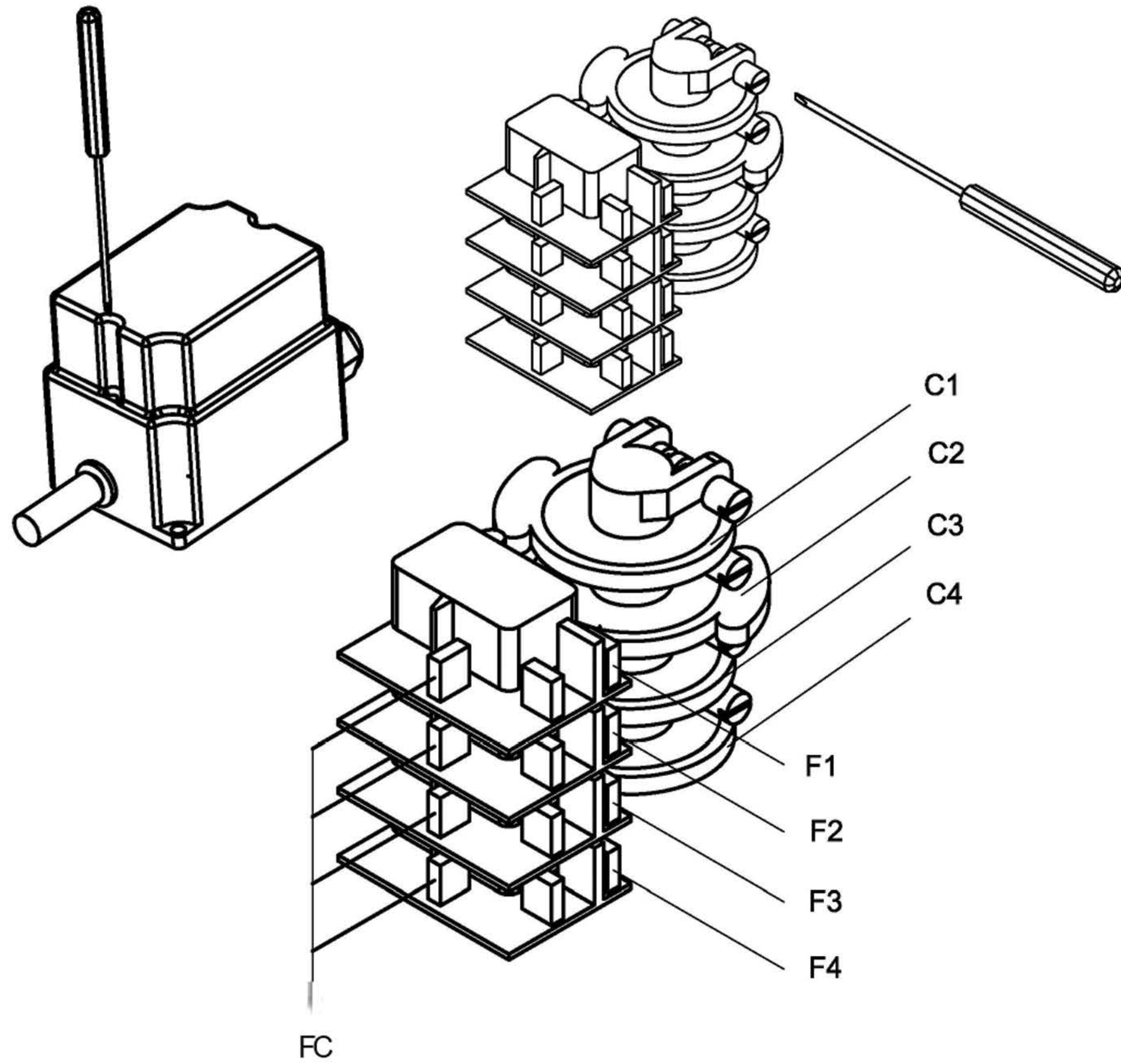
10

Fix the curtain to the upper beam and then use the down button on the control card to close the door



11

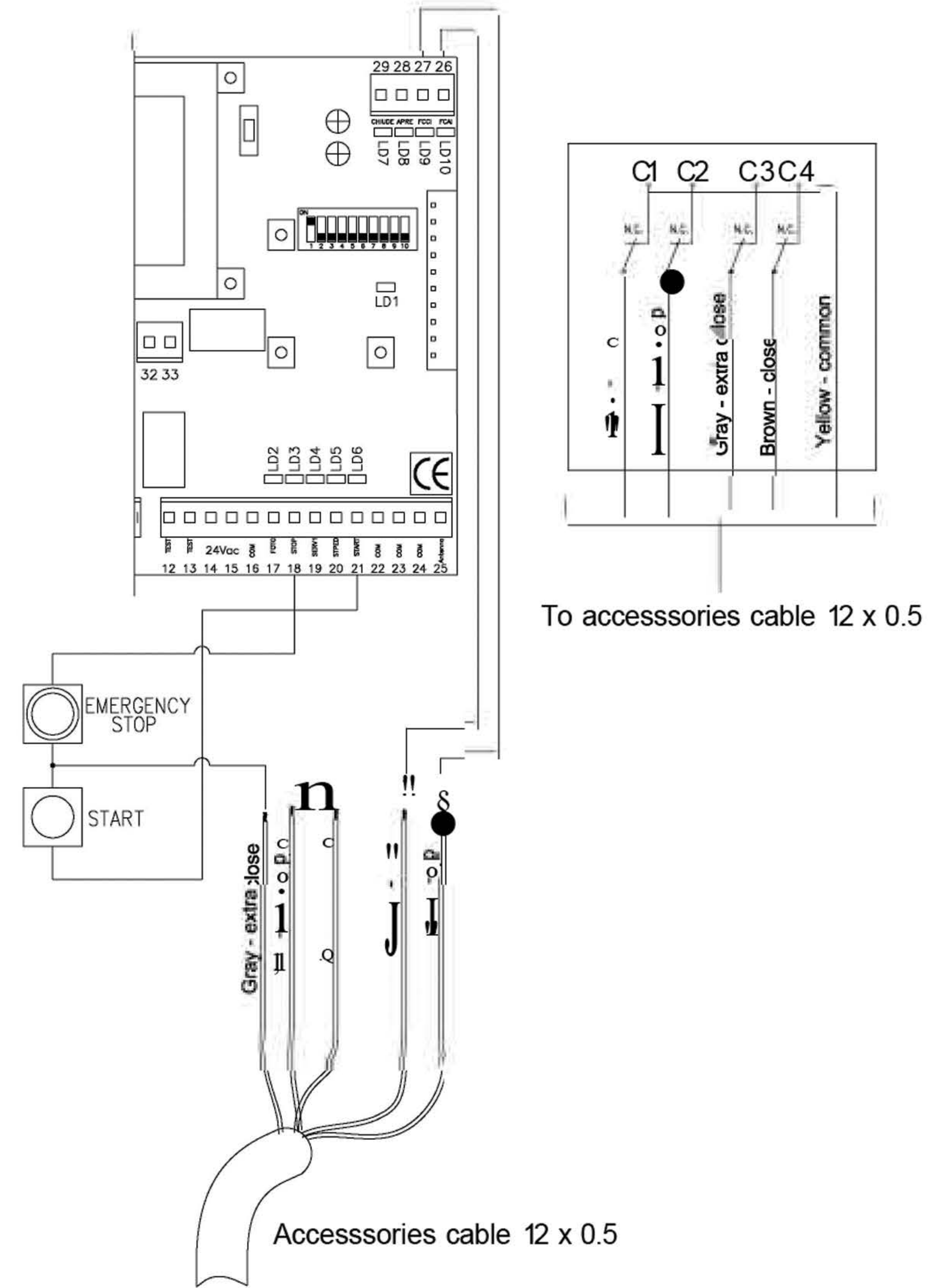
Limit switch adjustment



C1 - open
C2 - extra open
C3 - extra close
C4 - close

F1 - Green wire
F2 - White wire
F3 - Gray wire
F4 - Brown wire

12

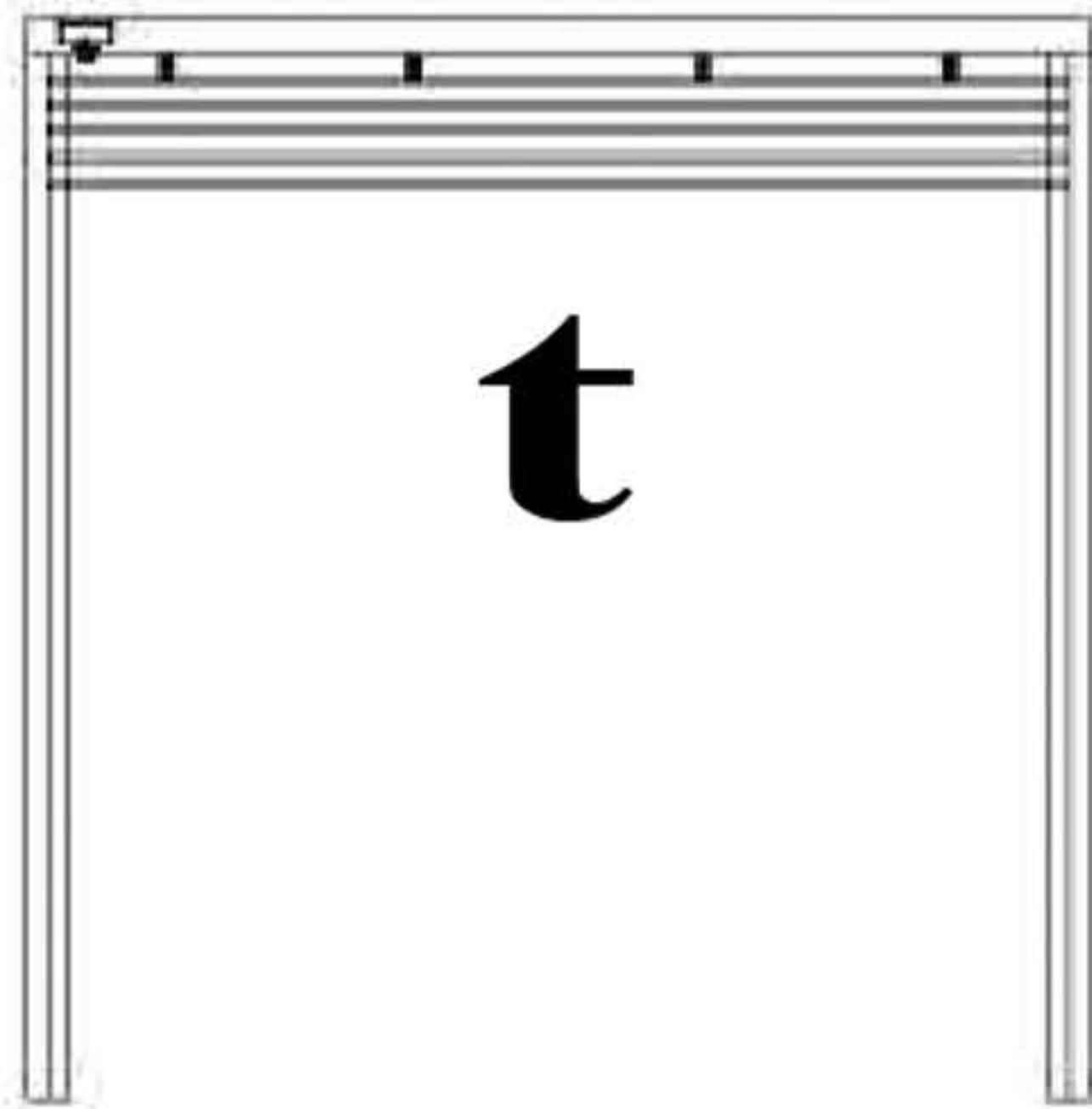


To accessories cable 12 x 0.5

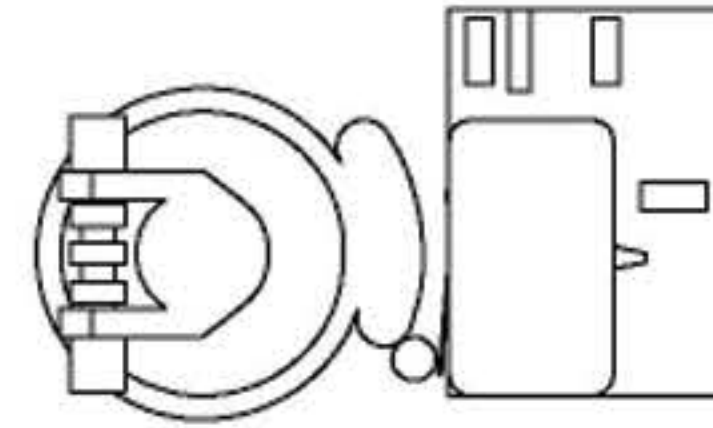
Accessories cable 12 x 0.5

13

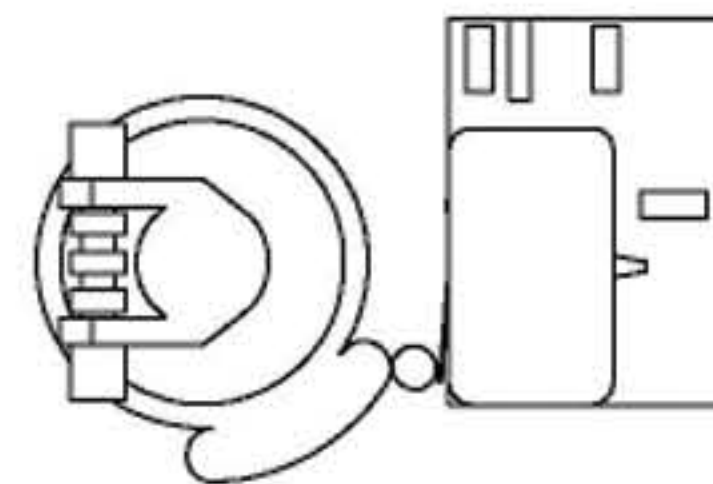
Limit switch open



-D10
t
D LD10

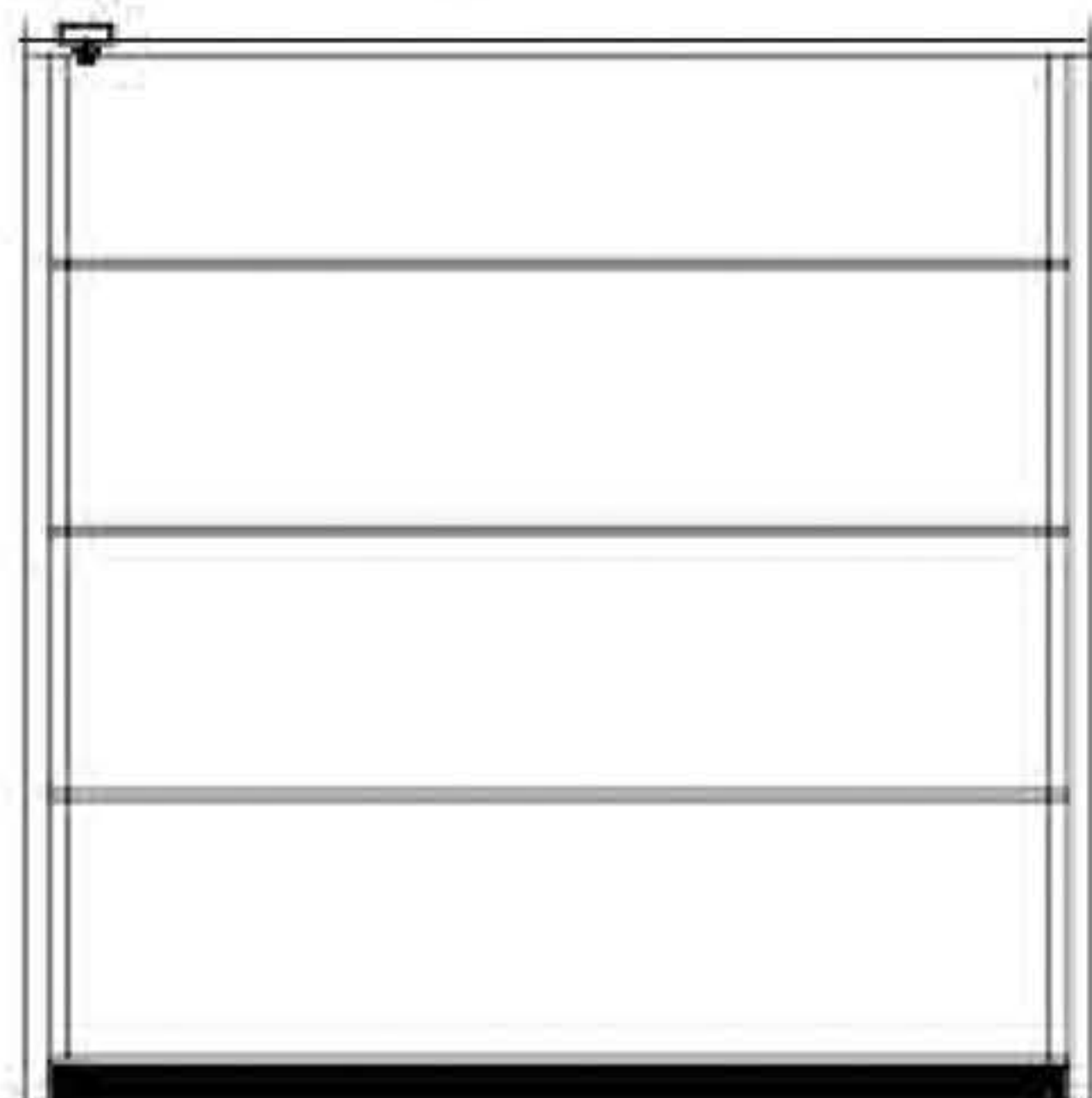


-D10
t
D LD10

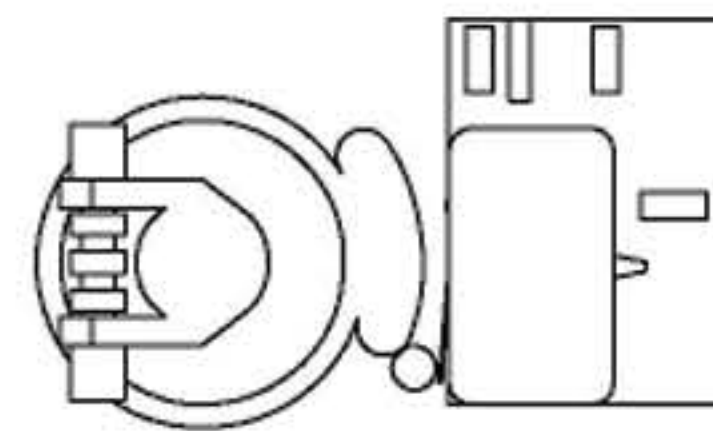


- Press the opening red button on the control card until the curtain is totally opened, during this operation control the rotation direction of the limit switch C1 (green cable).
- Rotate the C1 with a screwdriver in the same direction it rotated until the C1 presses the red micro.
- At the end of the regulation, control that the led Id10 is off.

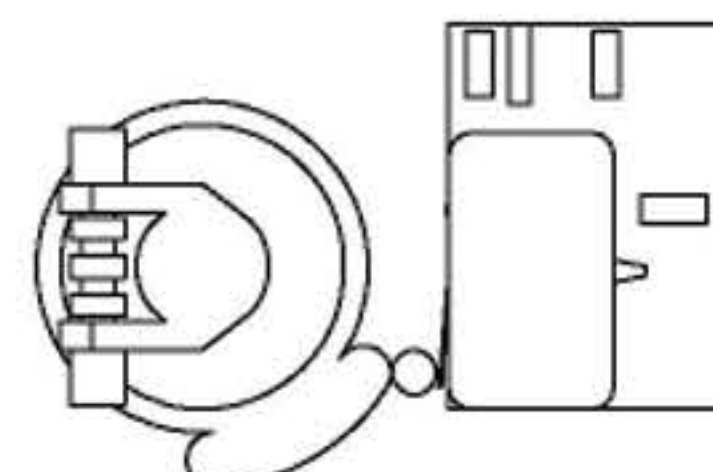
Limit switch close



-D9
D LO9



-D9
D LO9



- Press the opening red button on the control card until the curtain is totally closed and the belts are no more tense; during this operation control the rotation direction of the limit switch C4 (brown cable)
- Rotate the C4 with a screwdriver in the same direction it rotated until the C2 presses the red micro.
- At the end of the regulation control that the led Id9 is off.

14

Safety edge



Receiver



Transmitter

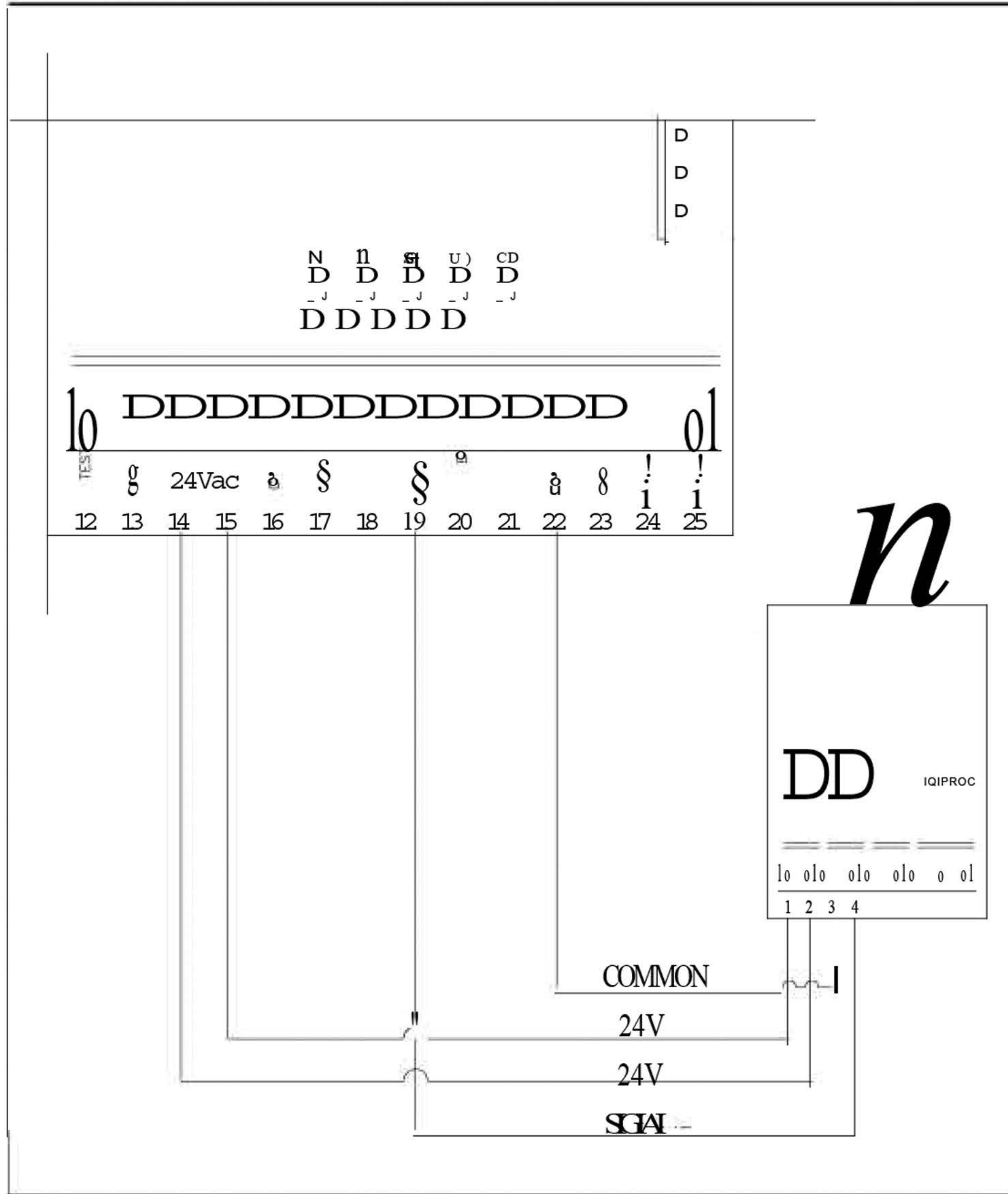


Resistive edge

RESISTIVE EDGE VALUE BETWEEN 8.1 AND 8.4 kΩ (tester on 20 kΩ)
ALWAYS CHECK THIS RESISTIVITY BEFORE CONNECTING TRANSMITTER AND RECEIVER



15



16

LD2 LD3 LD4 LD5 LD6
D D - D D

- A) Press PROG (receiver) until you hear a beep
- B) Press PROG (in 5 sec max) (transmitter) until you hear a beep
- C) Wait 10/15 sec
- D) LD4 (resistive edge) "ON"



MAXIMUM DISTANCE BETWEEN RECEIVER AND TRANSMITTER 8 METERS