

Approved YES NO

Approved By: _____

Date: _____

MAXDOCK100

STANDARD SYSTEM INCLUDES

- SBR RUBBER CURTAIN - BLACK
- HEAVY-DUTY GALVANIZED GUIDES
- BREAKAWAY BOTTOM BAR
- RUBBER ASTRAGAL BOTTOM SEAL
- 50,000 CYCLE SPRING
- LINTEL BRUSH SEAL
- MANUAL CHAIN HOIST

MECHANICAL / ELECTRICAL OPTIONS

- EPDM RUBBER - GRAY OR BLUE
- VINYL VISION PANEL: QTY. 01
- GUIDE BRUSH SEALS

ELECTRICAL CRITERIA:

PRIMARY POWER SUPPLY: MANUAL

NOTES:

PROJECT:

DEALER:

HANDING:
Right Hand Drive



(484) 840 - 8500
5 Crozerville Road | Aston, PA 19014

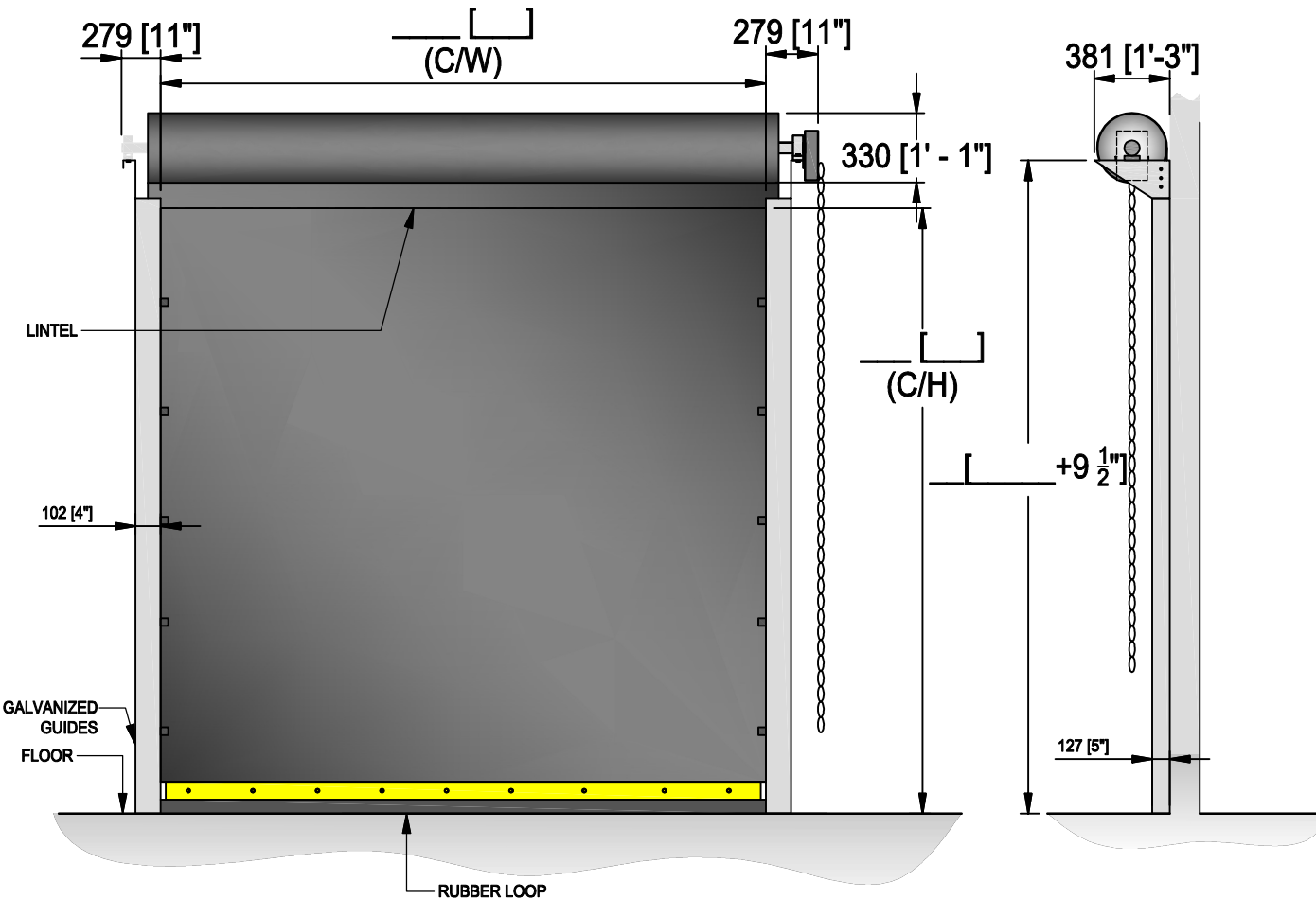
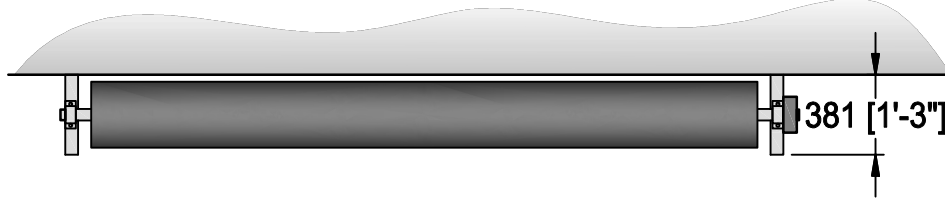
DRAWN	DATE	NAME
CHECKED	05/28/2017	C.LATSIOS

[Qty: ___] MaxDock100
___ ft (W) x ___ ft ___ in (H)

COPYRIGHT: The design and engineering content shown on this drawing remains the property of PERFORMAX and may not be copied in any way without prior written approval from the company.

Drawing Number

Rev. 0



Copyright © 2017 Performax Global, Inc. All rights reserved.