

Approved YES NO

Approved By: _____

Date: _____

MAXDOCK DIRECT DRIVE

STANDARD SYSTEM INCLUDES

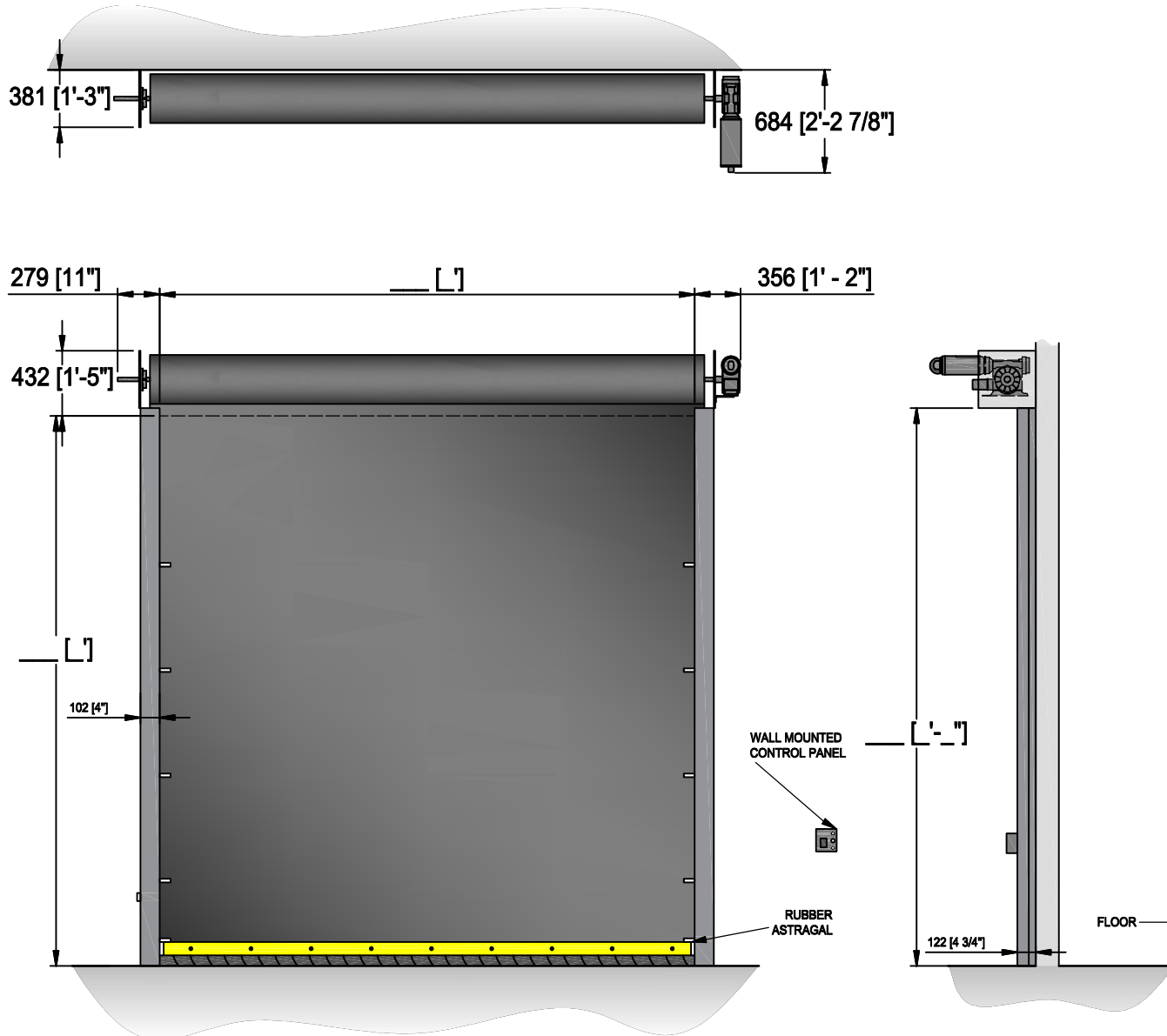
- DIRECT DRIVE MOTOR, UP TO 12ips OPENING SPEED
- PLC PROGRAMMABLE CONTROLLER
- SBR RUBBER CURTAIN - BLACK
- STEEL GUIDES - GALVANIZED
- BREAKAWAY BOTTOM BAR
- RUBBER EDGE
- LINTEL BRUSH SEAL

MECHANICAL / ELECTRICAL OPTIONS

- EPDM RUBBER - BLUE
- EXTERIOR HOOD & MOTOR COVER
- REFLECTIVE PHOTO EYE
- WIRELESS SAFETY REVERSING EDGE
- THRU BEAM PHOTO EYE
- NEMA 4 3-BUTTON STATION
- MOTION DETECTOR
- LOOP DETECTOR
- WIRELESS RECEIVER
- WIRELESS TRANSMITTER: QTY. _____
- FLANGE MOUNT DISCONNECT
- VINYL VISION PANEL: QTY. _____
- ROLL TUBE PROTECTION BARS

ELECTRICAL CRITERIA: CONTROL PANEL: PLC
PRIMARY POWER SUPPLY: 460 V, 3 Phase

NOTES:



PROJECT:

DEALER:

DRIVE:
Right Hand Drive

DRAWN	DATE	NAME

CHECKED

COPYRIGHT: The design and engineering content shown remains PERFORMAX property and may not be copied in any way without written consent from the company.



(484) 840 - 8500
5 Crozerville Road | Aston, PA 19014

[Qty: 01] MaxDock Direct Drive
_ ft (W) x _ ft (H)

Drawing Number

Rev.

C